

# Product Manual



**HEATSTRIP<sup>®</sup> *ELEGANCE* with Remote  
(THE-R Range)**

*Superior Technology. Superior Style.*



## CONTENTS

Rev A Apr19

Product overview _____	3
Specifications _____	4
Spot heating principle _____	5-6
Radiant footprint _____	7
Selection Guide _____	8
Table layout _____	9
Installation requirements _____	10
Installation location _____	11
Mounting options _____	12
Standard mounting brackets _____	13
Flush mount enclosure _____	14
FME dimensions _____	14
FME installation clearance dimensions _____	14
FME installation instructions _____	14
Extension mounting bracket _____	15
Suspension mount bracket _____	16
Wall controller w/ remote control _____	17-18
Safety, Maintenance _____	19
Warranty _____	20
Dutch _____	21
French _____	41
German _____	61



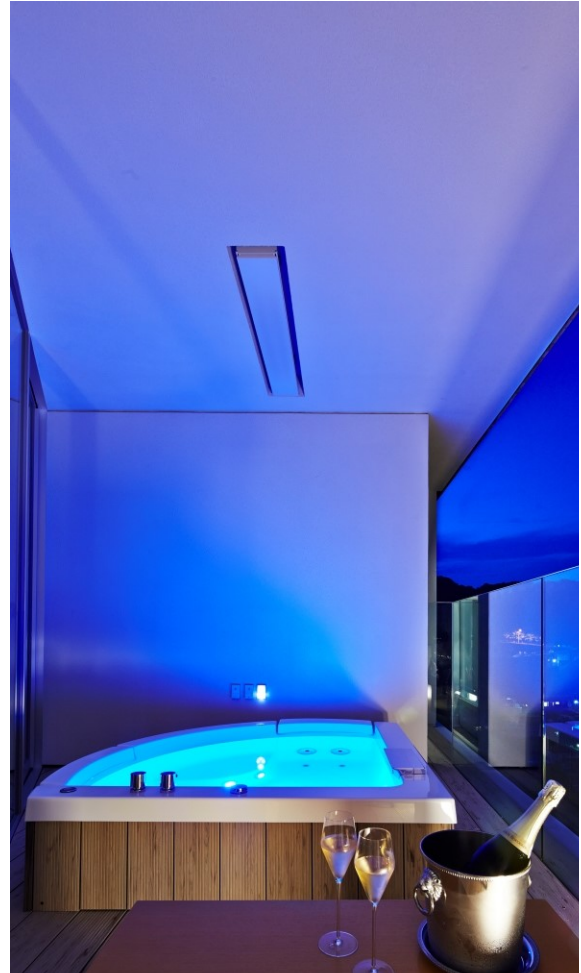
## HEATSTRIP® Elegance. Superior Technology. Superior Style

After many years of developing, researching and working in partnership with coating technology experts, Thermofilm, a world leader in electric heaters, has produced a unique composition to produce the new generation of outdoor heaters.

HEATSTRIP® Elegance comes in an “off-white” colour which blends

in seamlessly with most white ceilings in alfresco areas.

- Electric radiant heater perfect for your protected alfresco area, pergola, verandah or café
- The elegant, slimline design and “off-white” colour blends in seamlessly with most white ceilings
- World leading element design produces a more compact and higher output heater
- Significantly more cost-effective than bottled gas heaters
- Corrosion-resistant to handle the toughest outdoor environments
- Convenient DIY installation on 2400W models, 3200W model must be hard wired
- Optional mounting brackets
- 2 year residential warranty and 1 year commercial warranty

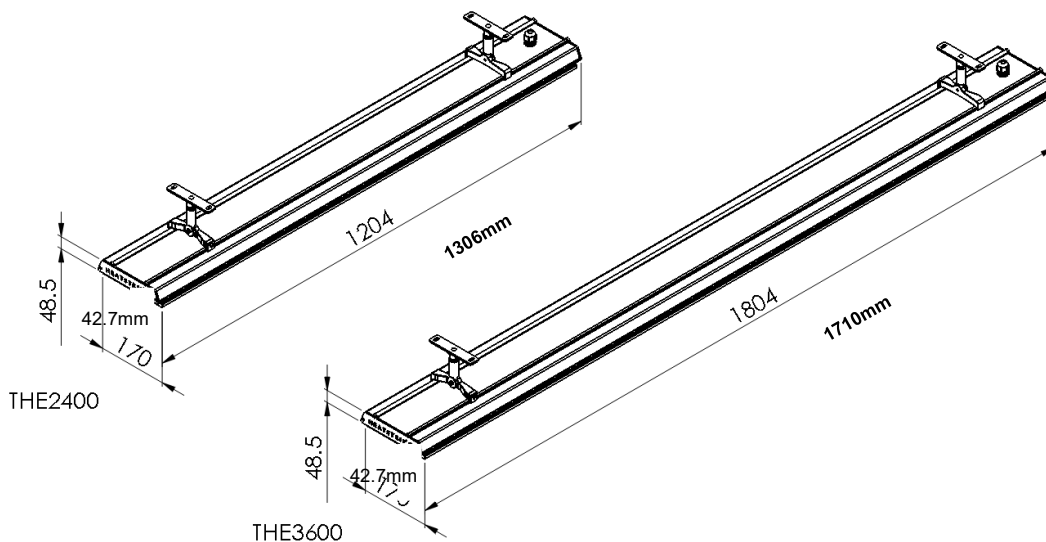




## Specifications - Australia

MODEL	POWER (WATTS)	CURRENT (AMPS)	DIMENSIONS (mm)	WEIGHT (Kg)	LEAD LENGTH (mm)	PLUG
THE2400EUR	2400	10	1306 x 170 x 42.7	7	2000	YES
THE3200EUR	3200	13.3	1710 x 170 x 42.7	9	2000	NO

MODEL							
HEATER TYPE	High intensity electric radiant overhead heater with high surface area profiled alloy						
OUTPUT	Refer to model code chart above						
POWER	240 Volts Nominal at 50 Hertz, Single Phase						
CONNECTION	3 Core Cable 2.5mm <sup>2</sup>						
APPROVALS	AUSTRALIA/NZ						
MOUNTING HEIGHT	<table border="0"> <tr> <td>MINIMUM</td> <td>2.1 m</td> </tr> <tr> <td>RECOMMENDED</td> <td>2.3 m to 2.5 m</td> </tr> <tr> <td>MAXIMUM</td> <td>2.7 m in a fully enclosed outdoor area (For higher ceiling heights, units can be lowered using optional bracket kits or refer to the HEATSTRIP Max range)</td> </tr> </table>	MINIMUM	2.1 m	RECOMMENDED	2.3 m to 2.5 m	MAXIMUM	2.7 m in a fully enclosed outdoor area (For higher ceiling heights, units can be lowered using optional bracket kits or refer to the HEATSTRIP Max range)
MINIMUM	2.1 m						
RECOMMENDED	2.3 m to 2.5 m						
MAXIMUM	2.7 m in a fully enclosed outdoor area (For higher ceiling heights, units can be lowered using optional bracket kits or refer to the HEATSTRIP Max range)						
MOUNTING OPTIONS	Suitable for ceiling, wall, beam, fixed umbrella and recess mounting. Also available for extension mount using rigid fixing poles and chains / wire suspension.						
PROTECTION RATING	IP55 Protection from water ingress from all directions						
MATERIALS OF CONSTRUCTION	High temperature coated aluminium alloy						





## Operating cost comparison

In many instances, patio heaters powered by gas bottles are used as an outdoor heating source. The below table shows the operational cost comparison between HEATSTRIP® and a bottled gas outdoor heater. Not only are the hourly running costs considerably less with HEATSTRIP®, but you never have to worry about running out of gas, no refilling, no unattractive gas bottle to waste space; and HEATSTRIP® actually improves the value of your property.

RUNNING COST	OUTDOOR GAS HEATER	HEATSTRIP® ELEGANCE ELECTRIC RADIANT HEATER	
		THE2400EUR	THE3200EUR
PER HOUR	\$2.78/hr	\$0.60/hr	\$0.80/hr
PER YEAR	\$500.40	\$108.00	\$162.00

### Notes:

- Calculations of hourly running cost for outdoor gas heater is based on \$25.00 average to fill a 9kg gas bottle and average running time of 9 hours.  $\$25.00 / 9 \text{ hours} = \$2.78 \text{ per hour}$
- Electricity rate of 25.0 cents/kWh
- All calculations are excluding GST.  
 $2.4\text{kW} \times 0.25 \text{ cents} = \$0.60 \text{ or } 60 \text{ cents per hour}$   
 $3.2\text{kW} \times 0.25 \text{ cents} = \$0.80 \text{ or } 90 \text{ cents per hour}$

Calculations of yearly running cost are based on 180 hours usage

$180 \text{ hours} \times \$2.78 = \$500.40$  yearly running cost for outdoor gas heater

$180 \text{ hours} \times \$0.60 = \$108.00$  yearly running cost for 2400W HEATSTRIP Elegance

$180 \text{ hours} \times \$0.80 \text{ cents} = \$144.00$  yearly running cost for 3200W HEATSTRIP Elegance



## Spot heating principle

In most outdoor or difficult-to-heat indoor applications, there are 2 options when calculating the size and quantity of the heaters required.

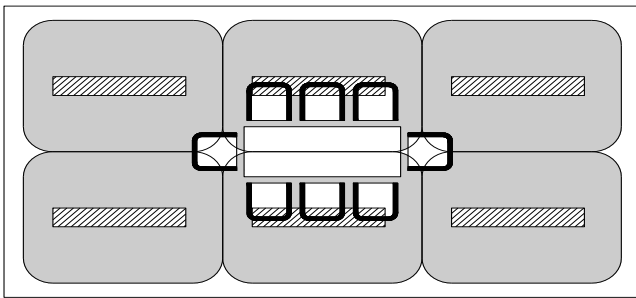
Option 1 is to comfort heat the entire area based on the total dimensions of the space, regardless of whether the entire area is being fully occupied.

Option 2 is to spot heat the high use areas, such as over outdoor tables, BBQ's, lounges, assembly lines or indoor workstations.

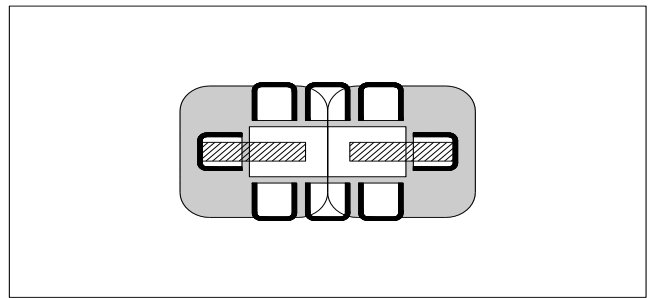
Often it is more practical and efficient to spot heat high use areas. Spot heating will reduce both the initial capital cost as well as the ongoing running costs. Spot heating will allow the area to be "zoned", meaning only the areas that are being used are heated, such as tables in a restaurant or outdoor alfresco area.

Option 1 and 2 show a comparison between heating an entire area or spot heating over a table.

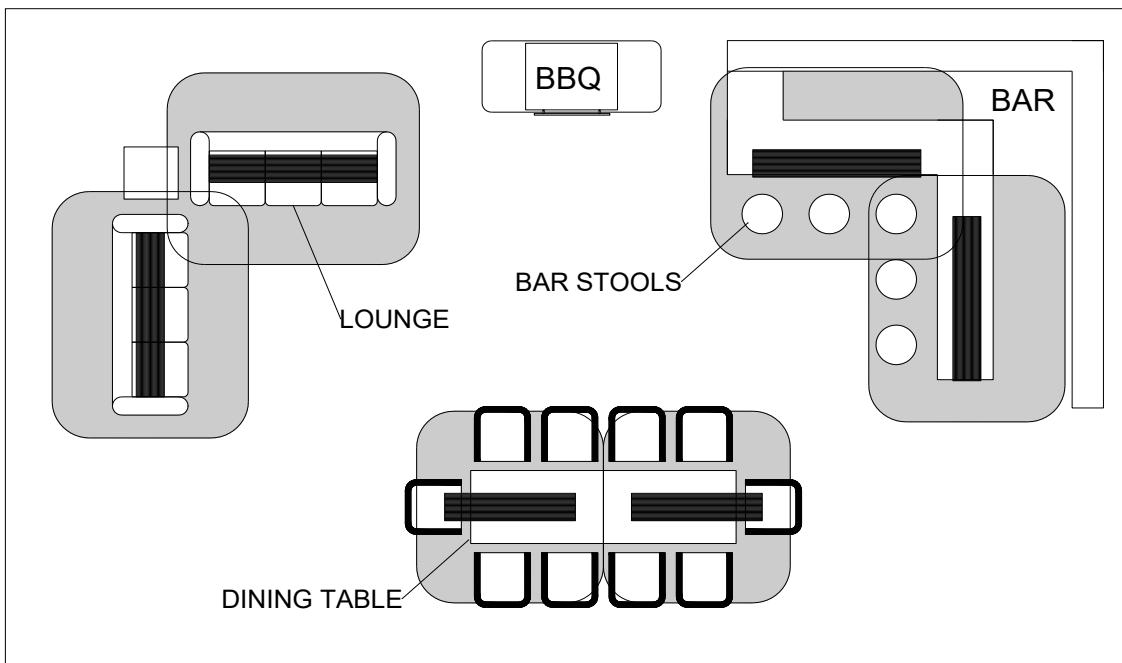
The bottom layout shows the flexibility of using HEATSTRIP® to provide a comfortable environment, even when the layout of the area is very unusual.



Option 1: 6 x THE2400R



Option 2: 2 x THE2400R





## Radiant footprint

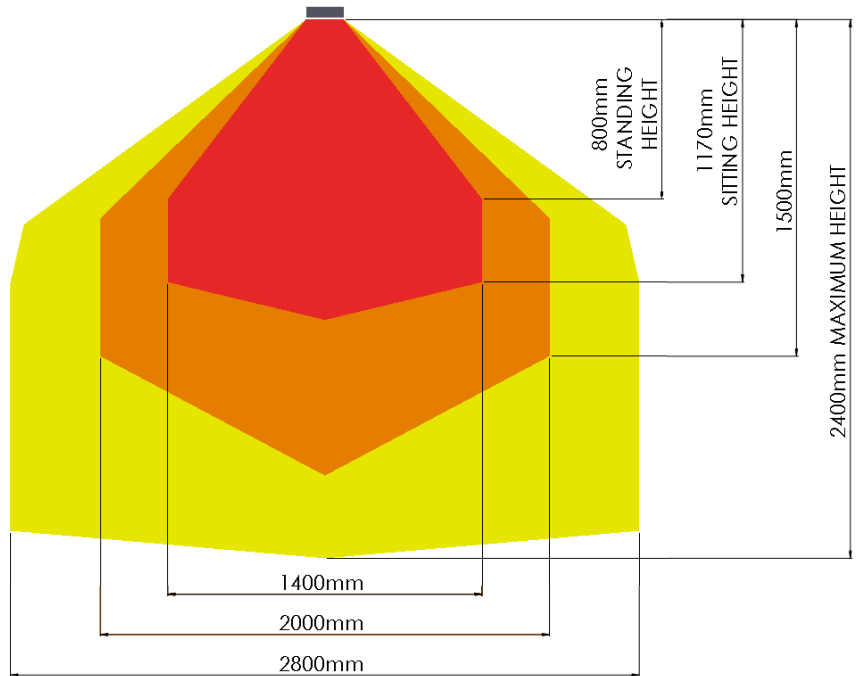
HEATSTRIP® electric heaters produce radiant heat which heats objects rather than the air. Therefore, it is imperative that objects to be heated (ie. people), are within the direct radiant footprint of the heater.

The diagram to the right shows the radiant footprint of HEATSTRIP® Elegance and is an approximate guide based on a fully enclosed outdoor environment.

This diagram shows that the maximum heat output is found directly under the heater, and the temperature decreases as you move away from the heater.

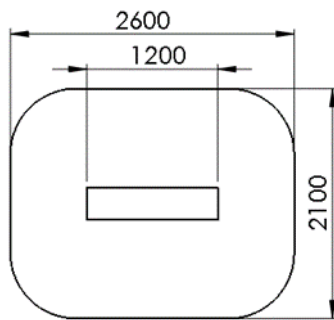
It highlights the importance of maintaining recommended mounting heights, and if possible, positioning the heater directly above the area to be heated.

Note that the temperature is similar for all 3 models, regardless of the wattage however, as the size increases and the length of the unit increases, the radiant footprint will be longer.

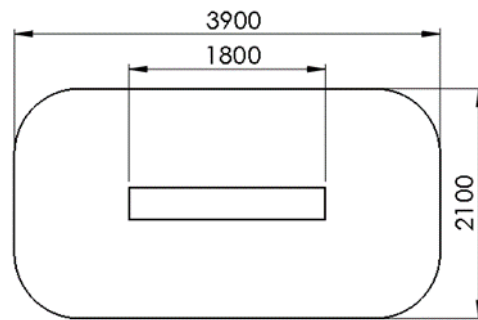


The below diagrams show the approximate heating area for each model, based on both an indoor and outdoor enclosed environment, with direct overhead mounting. The radiant footprint is reduced in angled and wall mounted installations.

### HEATED AREA INDOOR SPOT HEATING

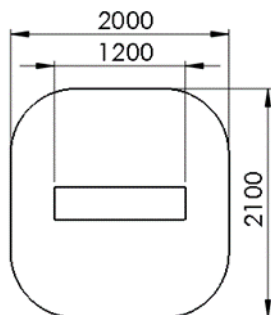


THE2400EUR

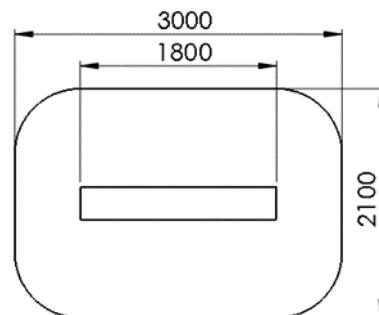


THE3200EUR

### HEATED AREA OUTDOOR ENCLOSED HEATING



THE2400EUR



THE3200EUR

## Selection guide

General recommendations for **HEATSTRIP® Elegance**:

- Ideal mounting height: 2.3m to 2.5m. Maximum is 2.7m in a fully protected/enclosed outdoor environment.
- Ideal mounting location: ceiling mounted, directly above area to be heated (eg. above a table)
- Minimum recommended heating capacity for various installations are: 400W/m<sup>2</sup> for indoor spot heating; 500W/m<sup>2</sup> for protected outdoor areas, and 600W/m<sup>2</sup> for exposed outdoor areas. To ensure the HEATSTRIP® Elegance provides satisfactory performance, Thermofilm strongly recommends using conservative coverage areas when specifying how many heaters are required for each installation.

The table below outlines the *maximum* coverage of each **HEATSTRIP® Elegance** model based on 2 different scenarios with direct overhead mounting at minimum installation height. For example, for an outdoor area that is protected from prevailing winds by walls, café blinds etc, Model THE2400EUR will cover a *maximum* of 4.8m<sup>2</sup> and Model THE3200EUR will cover a *maximum* of 6.4m<sup>2</sup>.

For angled wall mounting applications, the coverage is reduced by up to 40%.

MODEL	INDOOR PROTECTED (m <sup>2</sup> )	OUTDOOR ENCLOSED (m <sup>2</sup> )	OUTDOOR EXPOSED (m <sup>2</sup> )
THE2400EUR	6	4.8	4
THE3200EUR	8	6.4	5.3



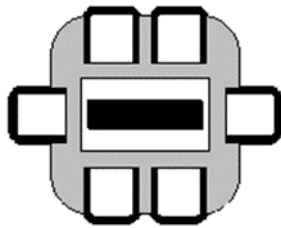




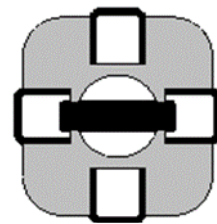
## Table layout

For the majority of outdoor applications, the most effective method is to spot heat a table or similar area. The diagrams below provide an easy selection guide for the approximate model and quantity of heaters required to heat common residential table settings.

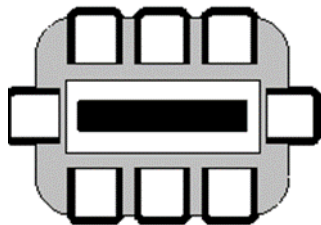
Selections are based on HEATSTRIP® Elegance being mounted at 2.4m from the floor in a fully enclosed undercover outdoor area.



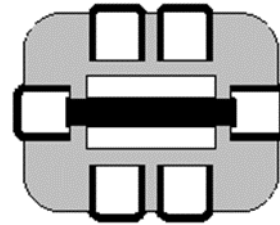
THE2400EUR



THE2400EUR



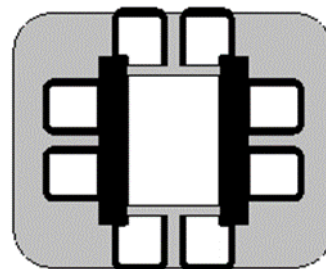
THE3200EUR



THE3200EUR



2x THE2400EUR



2x THE3200EUR

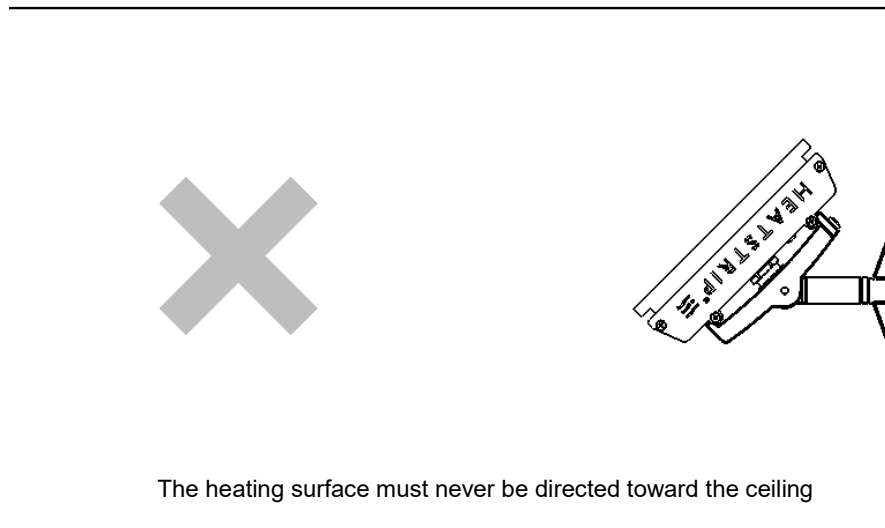
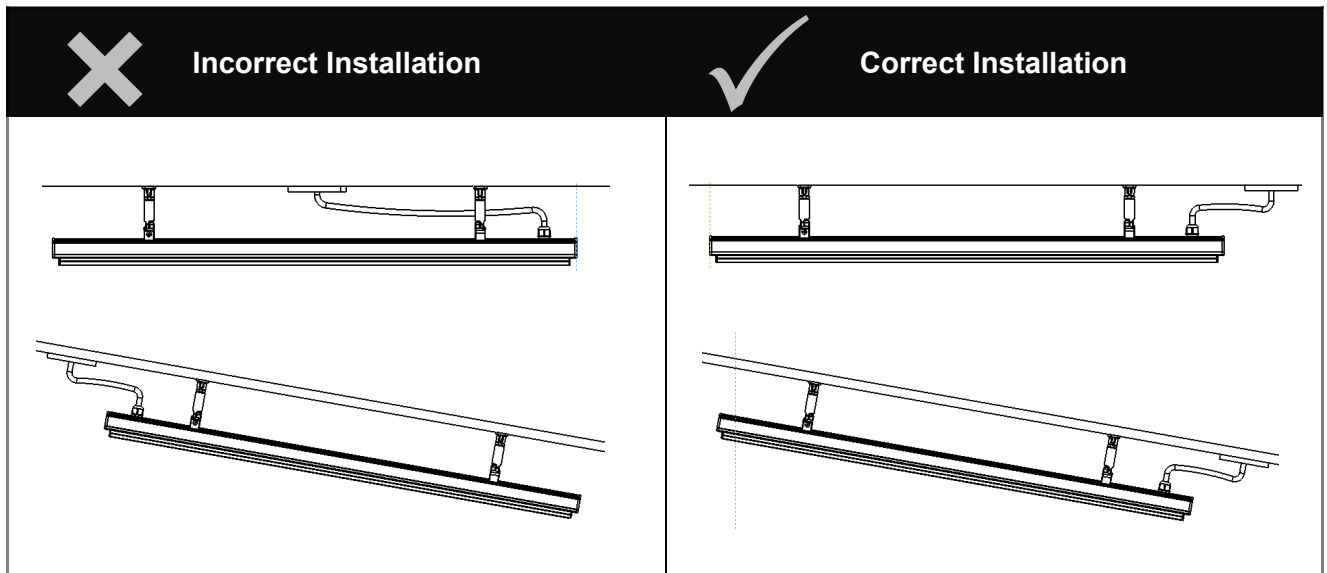
## Installation Requirements

The ideal mounting position for the HEATSTRIP® Elegance is on the ceiling directly above the area to be heated. If this is not possible, HEATSTRIP® can be mounted on a wall and angled downwards. In this situation, ensure the mounting height is in the range of 2.1m to 2.7m and the table is close to the wall.

For mounting heights more than 2.7m, we recommend the use of the optional accessories to reduce the height of the heater to 2.3m—2.5 m. This will increase the effectiveness of your HEATSTRIP®. Refer to the Mounting Accessory section for more information.

Electrical connections/GPO's should not be located at the back of the heater. They should be located outside the physical footprint of the units to minimize heat build-up behind the units.

If the heater is to be mounted on an incline (e.g. vaulted ceiling), ensure the electrical connection is located at the lowest point of the heater.

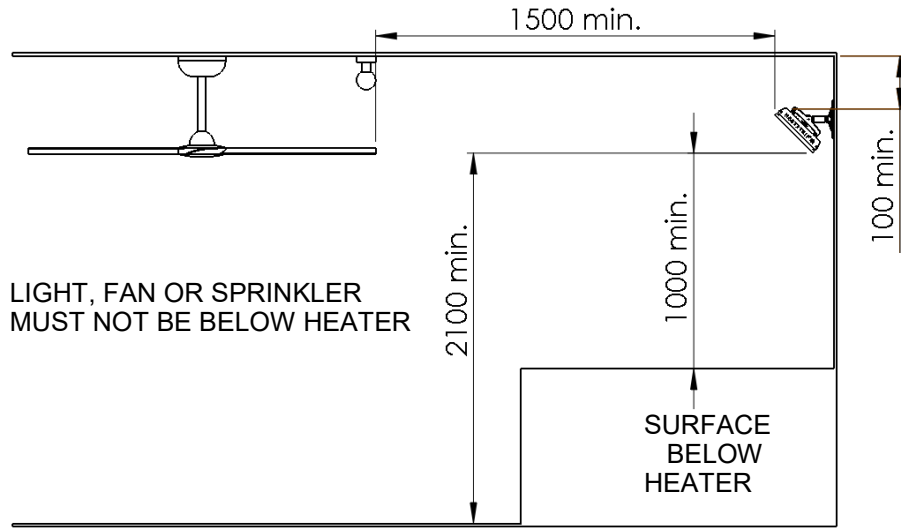




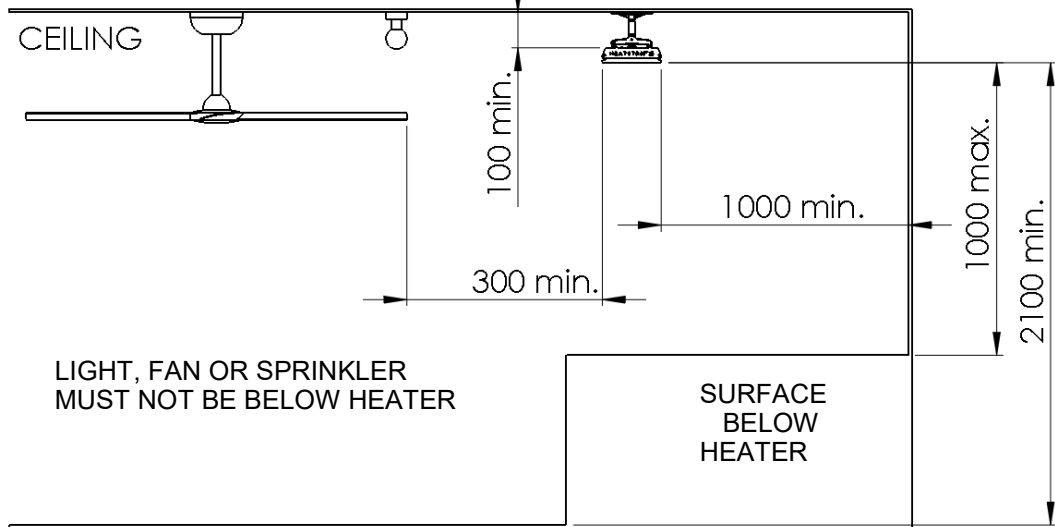
## Installation location —the diagrams below provide the minimum recommended clearances in (mm).

**WARNING:** This heater is not equipped with a device to control the room temperature. Do not use this heater in small rooms when they are occupied by persons not capable of leaving the room on their own, unless constant supervision is provided.

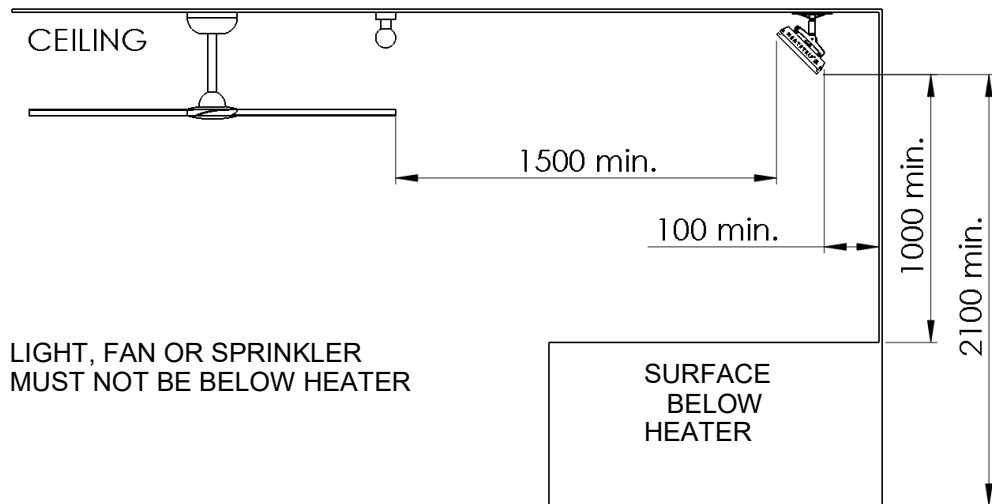
### Angled Wall Installation



### Ceiling Installation



### Angled Ceiling Installation

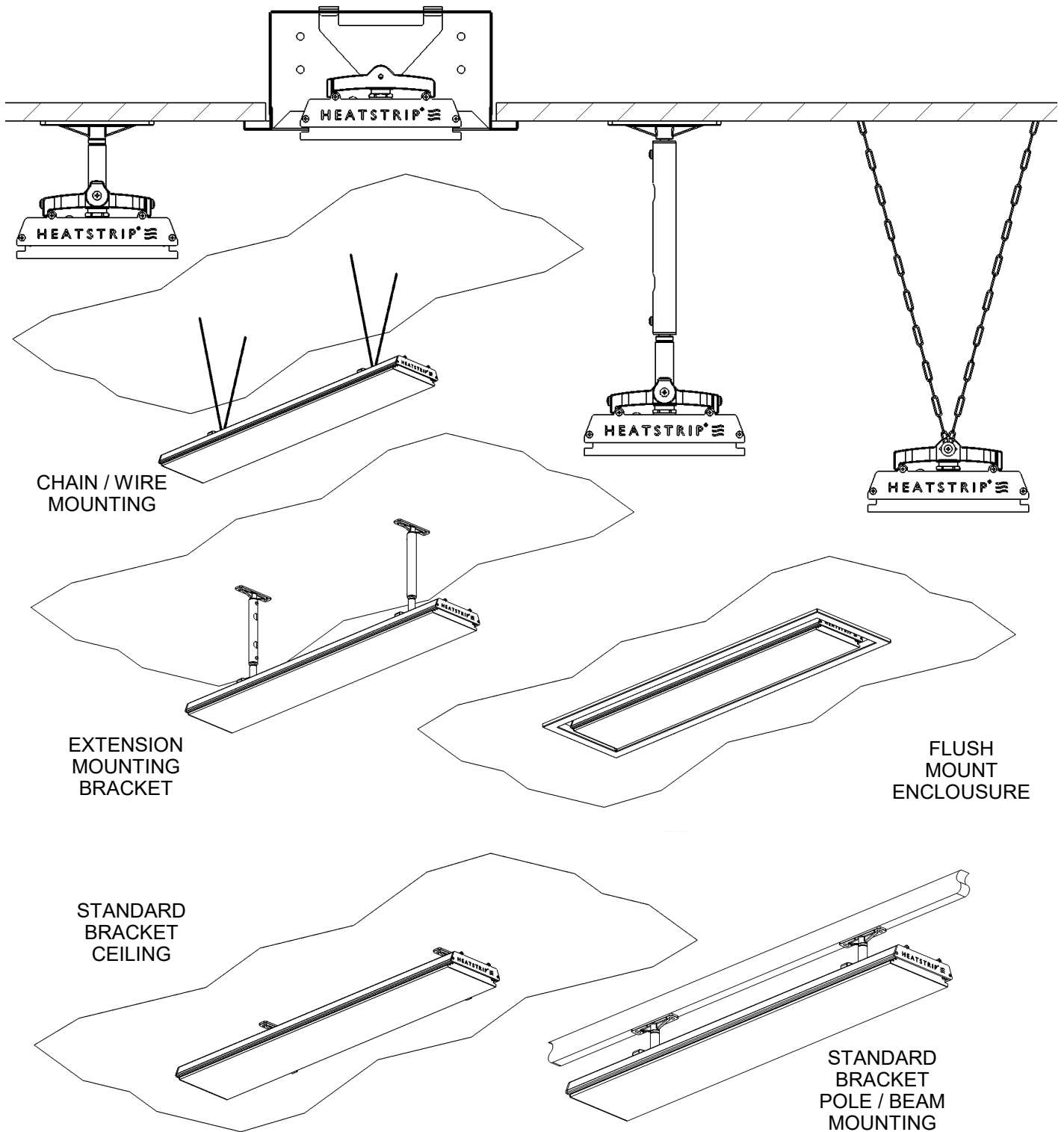




## Mounting options

Installing the HEATSTRIP® Elegance is simple and easy using the standard mounting brackets supplied. For other irregular locations there are range of mounting options available - refer to diagrams below

The HEATSTRIP® Elegance can be mounted directly to the ceiling, angled downwards on a wall, fitted flush with the ceiling, attached to beams or poles or suspended by rods, wires or chain .



CHAIN / WIRE MOUNTING

EXTENSION MOUNTING BRACKET

FLUSH MOUNT ENCLOSURE

STANDARD BRACKET CEILING

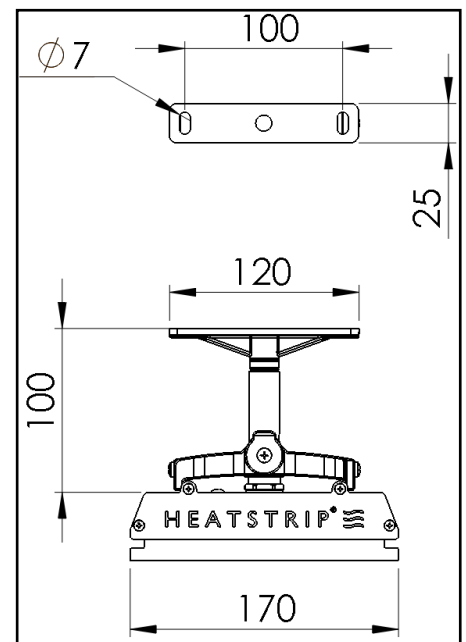
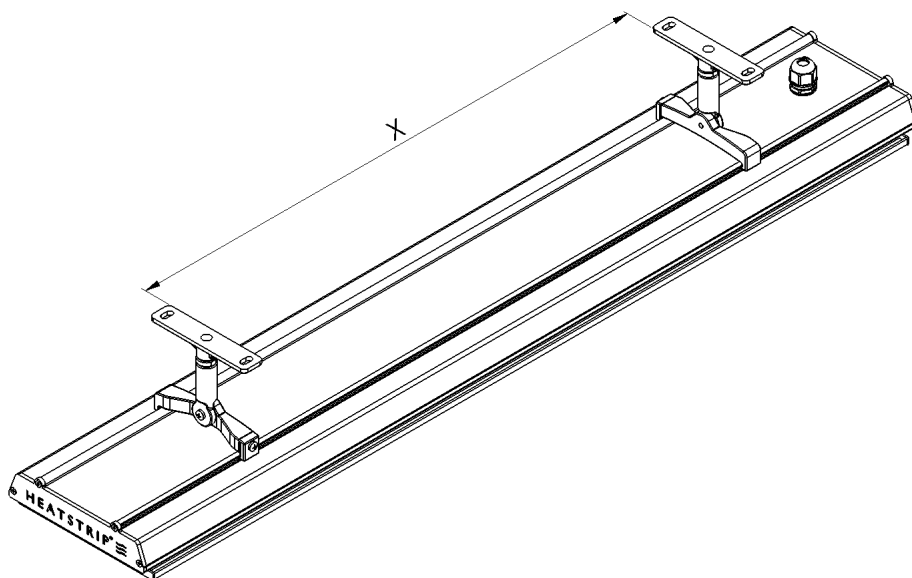
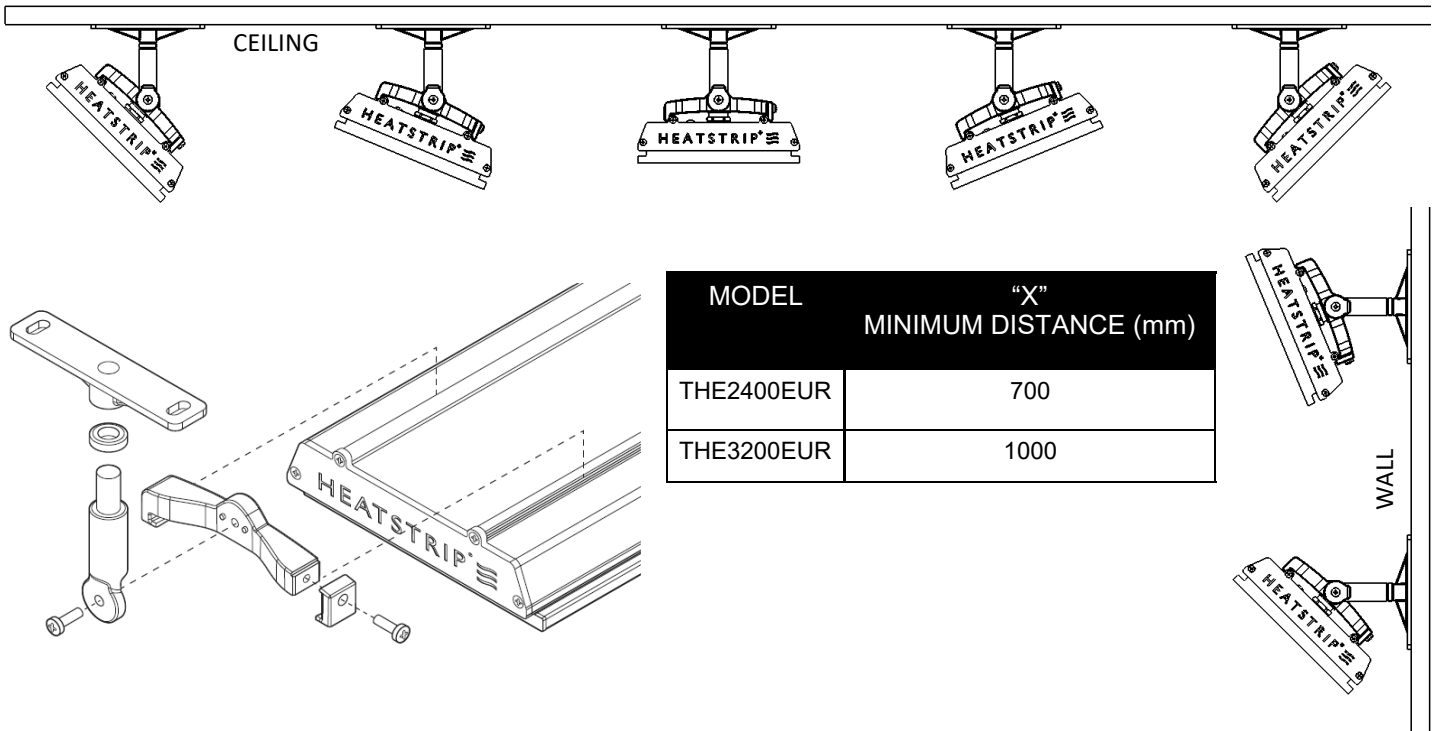
STANDARD BRACKET POLE / BEAM MOUNTING





## Standard mounting brackets

The HEATSTRIP® Elegance comes with a pair of standard mounting brackets. These adjustable brackets allow direct ceiling, wall or pole/beam mounting, and come with pre-set angle options of parallel, 22.5° and 45°.



PART No	PACKAGED DIMENSIONS (mm)	WEIGHT (kg)	MATERIALS
ZBRAK-113W	125 x 150 x 40	0.2	ALLOY



## Flush mount enclosure

The Flush Mount Enclosure is an ideal way to neatly install the HEATSTRIP® into a ceiling. They are available for all HEATSTRIP® Elegance models, and are supplied as a one-piece unit suitable for mounting individual heaters. Flush mounting can be used with plaster or timber lined ceiling materials.

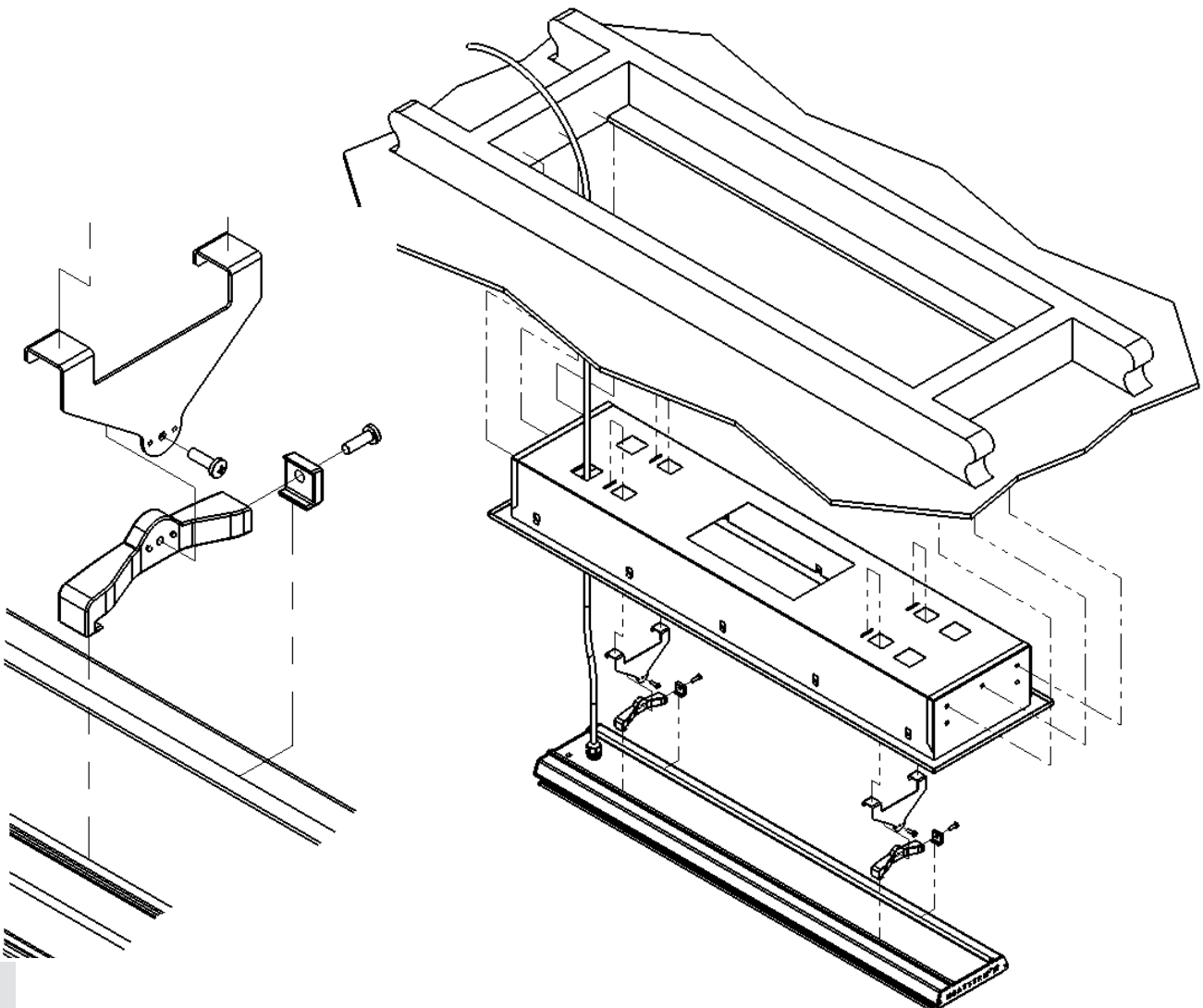
An ideal mounting height is 2.3m-2.5m, with a maximum ceiling height of 2.7m in an outdoor enclosed environment. Maximum mounting heights should be strictly followed, otherwise the performance of the units may be reduced.

A minimum clearance of 150mm behind the enclosure must be provided.

The enclosure is manufactured from powder coated steel.

Please refer to the Flush Mount Enclosure Installation Manual for more detailed installation information.

SUITABLE FOR MODEL	PART No	HOLE CUTOUT DIMENSIONS (mm)	OVERALL DIMENSIONS (mm)	WEIGHT (kg)
THE2400EUR	THERAC-056	240 x 1390	290 W x 1440 L x 201 D	8
THE3200EUR	THERAC-057	240 x 1790	290 W x 1840 L x 201 D	9



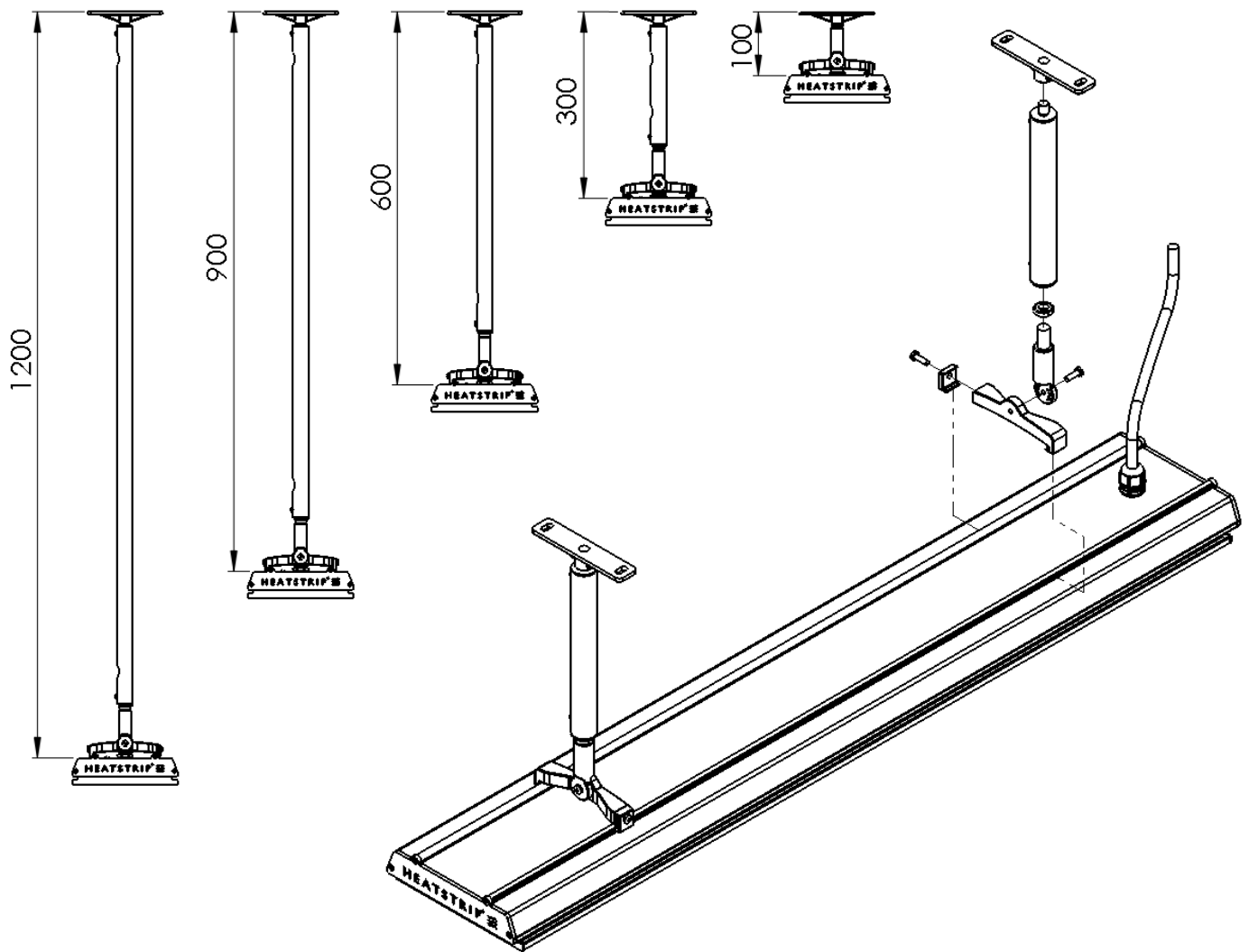


## Extension Mount Bracket

The Extension Mount bracket allows HEATSTRIP® Elegance units to be lowered from high ceilings using rigid connections. The standard length options as part of the kit are 300mm, 600mm, 900mm and 1200mm.

The kits include all brackets, poles and screws necessary for connection to the heaters, however it does not include screws for attachment to the ceiling.

The extension mount bracket utilises component from the standard bracket kit which is supplied with each heater. For minimum distance requirements between poles please refer to page 14.



PART No	PACKAGED DIMENSIONS (mm)	WEIGHT (kg)	MATERIALS	NOTES
THEAC-043	300 x 150 x 50	0.21	Aluminium	Kit includes 2x300mm extension pole
THEAC-044	600 x 150 x 50	0.38	Aluminium	Kit includes 2x600mm extension pole
THEAC-045	900 x 150 x 50	0.55	Aluminium	Kit includes 2x900mm extension pole
THEAC-046	1200 x 150 x 50	0.71	Aluminium	Kit includes 2x1200mm extension pole



## Chain / Wire Suspension Mount

HEATSTRIP® Elegance can be suspended using chain or wire to lower the installation height from high outdoor or indoor roofs or ceilings.

Thermofilm does not provide any dedicated installation kit for this type of mounting, however the following information may be used to assist in safely installing the HEATSTRIP® Elegance.

Any chain or wire must be suitably rated to withstand the weight of the heater.

The use of chain or wire mounting is NOT recommended for unprotected outdoor installations.

It is recommended to use a component from the standard bracket kit (shown below) which is supplied with each heater to attach any chain or wire to the heater.

For minimum distance requirements between poles please refer to page 14.

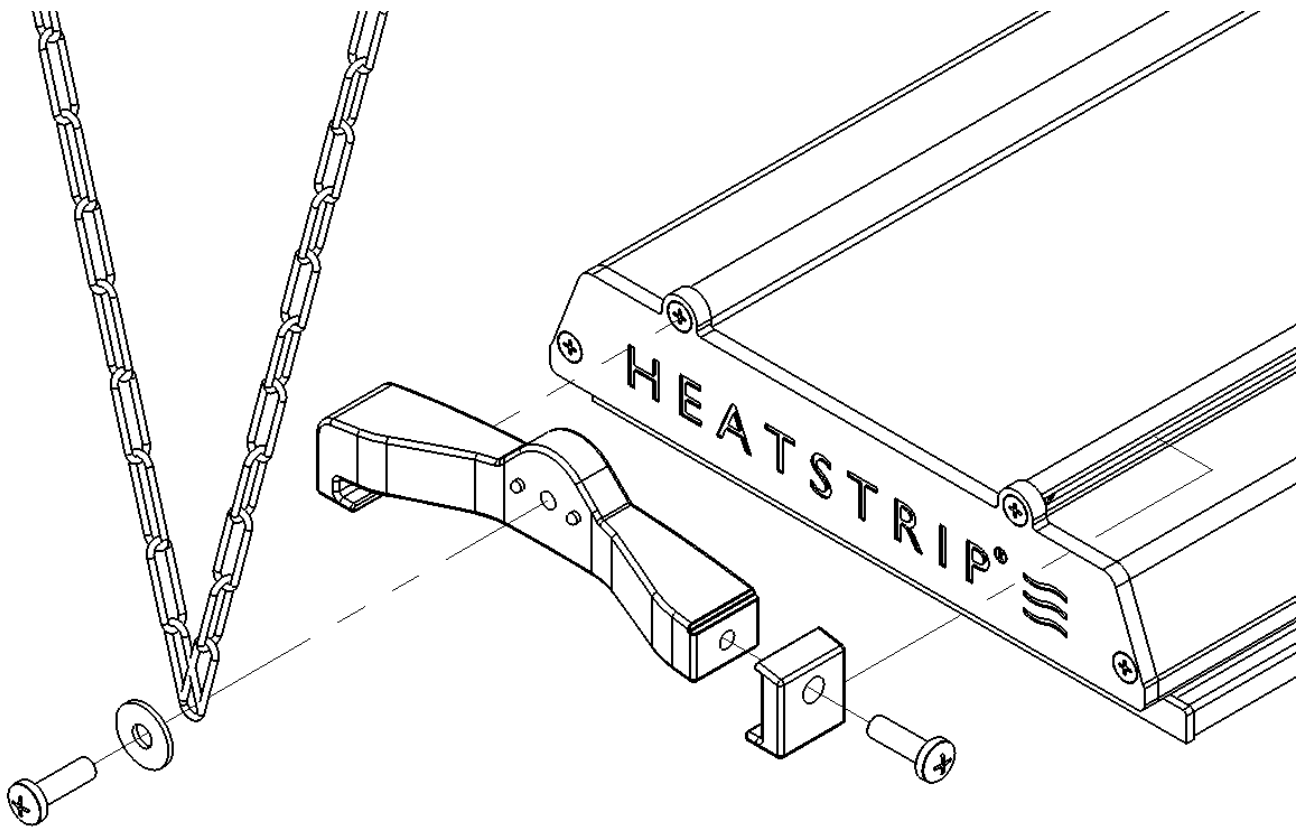


Diagram above shows one potential means of installation using chain or wire





## THE-R Operation Control with Remote

The THE-R is a custom designed and manufactured heater. It has been designed for ease of use and provide low running cost of your heater. It provides both temperature control (allowing the user to turn the heater output up or down depending on the ambient temperature and conditions) and a timer for automatic heater shut- off operation

When the heater is plugged in, press “power” on the remote, the power indicator light on the unit is lit, and then press the function button. It provides both temperature control allowing the user to turn the heat output High or Low and a timer for automatic heater operation, either 1, 2 or 4 hours.

### THE-R Functions

The heater allows a combination of the multiple timer (1/2/4 hour) and heat outputs (High/Low). The default operation is continuous operation at full temperature.

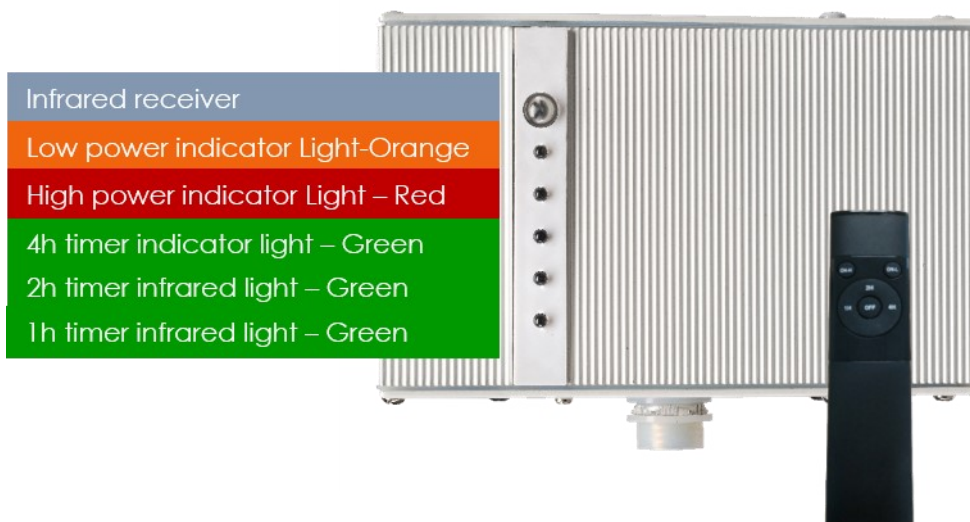
The timer function has four settings: 1 hour, 2 hours, 4 hours or constantly ON. This feature is ideal for applications such as alfresco areas, restaurant dining, assembly line production etc. when continuous heat is not required. The timer also reduces the likelihood of heaters being inadvertently left turned on.

Depending on the ambient temperature, there may be a requirement to adjust the heat. The controller has 2 settings: they are High and Low.

### Remote pairing

All units operate using the same remote control frequency, therefore, multiple heaters can be operated using a single remote control.

The remote will function at distance of over 8m when used in a straight line. This distance reduces when used at an angle.



Controller functionality, please refer to page 17.

## Remote Control Operation

### Signal Transmitter

- To use the remote controller, aim the transmitter to the heater. A line of sight transmission is required for the unit to function.
- The controller does not have a protection rating. The controller must be kept away from wet applications.
- The remote will function at distances of over 8m when used in a straight line. This distance reduces when used at an angle.

### Receiver

- Receiver is located on the heater.



### Temperature Control Button

- Press ON-H temperature will be adjusted to HIGH.
- Press ON-L temperature will be adjusted to LOW.



### Automated Countdown Timer

- Press 1H to begin 1 hour automatic shutdown.
- Press 2H to begin 2 hour automatic shutdown.
- Press 4H to begin 4 hour automatic shutdown.

### OFF Button

- Press this button once to turn OFF operation.

### Battery

- AAA Battery required for operation.

### REMOTE FUNCTIONS

ON-H	Temperature High
ON-L	Temperature Low
OFF	Unit Off
1H	1H Automatic Timer
2H	2H Automatic Timer
4H	4H Automatic Timer

Infrared receiver  
 Low power indicator Light-Orange  
 High power indicator Light - Red  
 4h timer indicator light - Green  
 2h timer infrared light - Green  
 1h timer infrared light - Green



## Safety

HEATSTRIP® Elegance has an IP rating of 55. This means it is safe for water ingress from all directions. The HEATSTRIP® can be safely hosed down.

HEATSTRIP® has undergone extensive testing both in laboratory conditions, in Thermofilm's manufacturing facility in Melbourne and field trials in Australia and overseas. It is this testing that gives the purchaser the confidence of a high quality product. Independent laboratory testing has confirmed Thermofilm's full compliance with Australian and other International Standards including CE, AS/ANZ, UL/CSA

HEATSTRIP® is Class 1 equipment and must be earthed.

In operation, this heater is VERY HOT— do not touch any part of the heater while it is turned on. Do not touch any part until 30 minutes after it is turned off.

This appliance is not intended for use by persons (including children) with reduced physical, sensory or intellectual capabilities, or lack of experience and knowledge, unless they have been given supervision or instruction concerning use of the appliance by a person responsible for their safety. Children should be supervised to ensure they do not play with the appliance.

**WARNING:** This heater is not equipped with a device to control the room temperature. Do not use this heater in small rooms when they are occupied by persons not capable of leaving the room on their own, unless constant supervision is provided.

Do not allow any cables, furnishings, flammable materials or other items come in contact with any surface of the heater.

If installed in wet areas, the heater switches or controls must be located so that they cannot be touched by persons in the bath or shower.

The heater needs to be installed as per the installation instructions paying special attention to the minimum clearances. The heater needs to be mounted on a rigid bracket or fixing.

The heater must not be mounted immediately below or in front of a socket outlet.

The heater comes in plug (2400W) and hardwired (3200W) versions. In both cases the fixed wiring must be installed by a licensed electrician in accordance with the relevant wiring regulations. Provision for disconnection must be incorporated into any fixed wired heater installation.

The supply cord can not be replaced. If the supply cord is damaged the appliance shall be scrapped or returned to the point of purchase for return to Thermofilm.

## Maintenance

The HEATSTRIP® Elegance is made from durable materials, however regular care and maintenance of your heater will help prolong the life of the heater.

It is recommended that you clean the heater with a soft cloth gently wipe the surfaces of the heater with a mild detergent to remove the built up contaminants from the environment. Then rinse all detergent off the heater. All chemicals in the atmosphere including cigarette smoke, pollution etc. will tarnish the surface of the heater. In this case, additional cleaning and maintenance may be required. Carrying out the cleaning process at least every three months will reduce the amount of build up and keep the HEATSTRIP® in good condition. If the heater is in a corrosive environment eg. salt spray, we recommend that you clean your heater with a light spray of fresh water every week. After cleaning, turn the heater on for 20 minutes to dry any water residue and prevent water staining. Before cleaning or inspection activity, the heater must be switched off and cooled down completely. Do not use any abrasive materials or products to clean the heater, this includes solvents, citrus based cleaners or other harsh cleaning products.

When handling the heater, ensure that your hands are clean or that you use clean gloves as grease or dirt can mark the surface of the heater.

Do not use high pressure water to clean heaters.

## Warranty Terms & Conditions

The below Warranty Terms and Conditions apply for **New Zealand and Australia only**. For international warranty please refer to international warranty terms and conditions.

Thermofilm warrants to the original owner that HEATSTRIP Elegance products will be free from defects in materials and workmanship for a period of 24 months from the date of purchase for residential applications and 12 months for commercial applications in accordance with the following warranty terms and conditions.

Provision of this warranty is subject to:

- The HEATSTRIP® products must be installed in accordance with the Installation Instructions and relevant electrical standards and codes.
- The HEATSTRIP® products must be maintained and cleaned according to instructions detailed in the Installation Manual.
- There is no warranty expressed or implied with regard to capacity requirements. The selection of the unit or units depends entirely upon the system design and capacities as determined by the purchaser.
- The customer has not repaired, opened or altered the product in any unauthorised manner.
- This warranty excludes damage to the product or components arising from circumstances outside the control of Thermofilm, including, but not limited to, where the product is not used for intended purpose; where the product has been rectified in any way; incorrect installation; incorrect power supply; damaged caused during delivery; misapplication, misuse, abuse, vandalism, lack of maintenance or accident.
- Thermofilm's obligations under this warranty are limited to repair or replacement at Thermofilm's factory of any components of the product which Thermofilm identifies to its satisfaction to be defective.
- Transportation charges involved in return of the product to the Thermofilm factory (or any other location authorised in writing by Thermofilm) is the sole responsibility of the customer.
- All products are inspected and tested before despatch and are at the risk of the purchaser after the shipment from the Thermofilm factory, if not delivered by Thermofilm to destination.
- No products or components will be supplied in advance of an examination of the faulty product or components by Thermofilm or an authorized representative of Thermofilm.
- Thermofilm does not participate in any site related costs or labour expenses incidental to replacement of parts, repairing, removing, installing, servicing, transportation or handling of parts to complete products, and assumes no liability on parts repaired or replaced without written authorisation. Thermofilm shall not be liable for any default or delay in performance of its warranty obligations caused by any circumstances beyond its control, including, but not limited to, judicial or government restrictions, strikes, fires, floods, abnormal weather conditions, delayed supply of components.

Should products be determined as damaged on arrival, immediately notify the transport company of the condition and have them noted on the freight documents. If damage is discovered after unpacking, demand immediate inspection by the transportation company and insist that a record of the damage is made on the freight documentation.

The customer warrants using the product in accordance with:

- Any instructions provided to it by Thermofilm from time to time.
- All government and local regulations, including but not limited to all relevant electrical, environmental laws and regulations governing the installation, storage, use, handling and maintenance of the goods.
- All necessary and appropriate precautions and safety measures relating to the installation, storage, use, handling and maintenance of goods.

*Our goods come with guarantees that cannot be excluded under the Australian Consumer Law. You are entitled to a replacement or refund for a major failure and for compensation for any other reasonably foreseeable loss or damage. You are also entitled to have the goods repaired or replaced if the goods fail to be of acceptable quality and the failure does not amount to a major failure.*

All warranty requests for repairs or replacements must be accompanied by a complete "Warranty Claim Form" available from Thermofilm, together with proof of purchase (and where possible, photos of the installation) and the heater returned to the place of purchase.

In the event of a warranty claim, the goods need to be returned to the distributor/retailer for repair/replacement. Contact

Gedistribueerd door:

**Cook & Heat B.V.**  
[www.heatstrip.eu](http://www.heatstrip.eu)

Geproduceerd door:

**Thermofilm Australia Pty Ltd**  
17 Johnston Court  
Dandenong South  
Victoria 3175 Australia



# Product Manual



**HEATSTRIP<sup>®</sup> *ELEGANCE* with Remote  
(THE-R Range)**

*Superior Technology. Superior Style.*





## CONTENTS

Rev A Apr19

Productoverzicht	23
Specificaties	24
Puntverwarmingsprincipe	25-26
Straalrichting	27
Keuzegids	28
Tafelindeling	29
Installatievereisten	30
Montage locatie	31
Montagemogelijkheden	32
Standaard montagebeugels	33
Montagebehuizing voor inbouw (FME)	34
Afmetingen Flush Mount Enclosure	34
Installatie-afstanden Flush Mount Enclosure	34
Installatie-instructies	34
Verlengde montagebeugel	35
Ophangbeugel voor ophanging	36
Controller en bediening op afstand	37-38
Veiligheid, onderhoud	39
Garantie	40
Dutch	21
French	41
German	61



## Efficiënte, kosteneffectieve elektrische verwarming

Het innovatieve design van de HEATSTRIP zorgt voor een comfortabele en gelijkmatige warmteverspreiding vanaf de oppervlakte met minimale gebruikskosten.

### Flexibel design

Er zijn drie HEATSTRIP Elegance modellen beschikbaar, zodat voldaan kan worden aan de verwarmingseisen voor elke buitenruimte of open binnenruimte. Beugels voor montage aan de muur of het plafond worden standaard meegeleverd. Optionele HEATSTRIP-accessoires zijn onder andere balkbeugels en vaste parasolbeugels, verlengde beugels, kettingbeugels, dubbele montagebeugels en montageomhulsels voor inbouw.

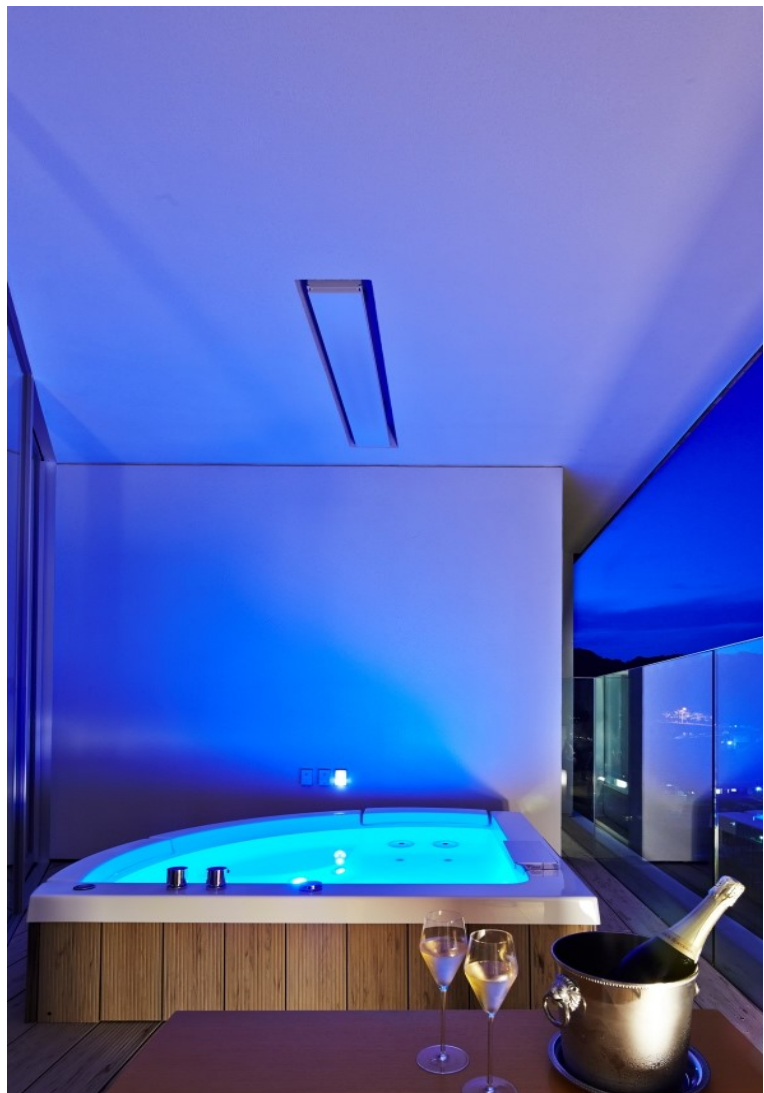
### Geproduceerd in Australië

De HEATSTRIP is ontworpen, geproduceerd en geassembleerd in Australië.

Aantrekkelijke HEATSTRIP Elegance wordt standaard geleverd met een "Off-White" voorkant en achterkant van geanodiseerd aluminium met "Off-White" coating.

### Eenvoudig in gebruik

De HEATSTRIP wordt bediend door een eenvoudige aan/uit-schakelaar. Hij kan rechtstreeks op het stopcontact aangesloten worden of permanent aangesloten worden via een in de muur geplaatste aan/uit-schakelaar. De unit heeft ongeveer vijf minuten nodig om tot de maximale temperatuur op te warmen en ongeveer dertig minuten om af te koelen, afhankelijk van de omgevingstemperatuur. Vergeet niet de unit uit te schakelen.

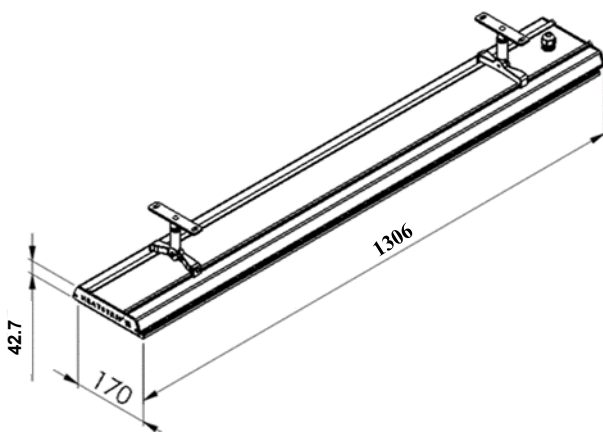




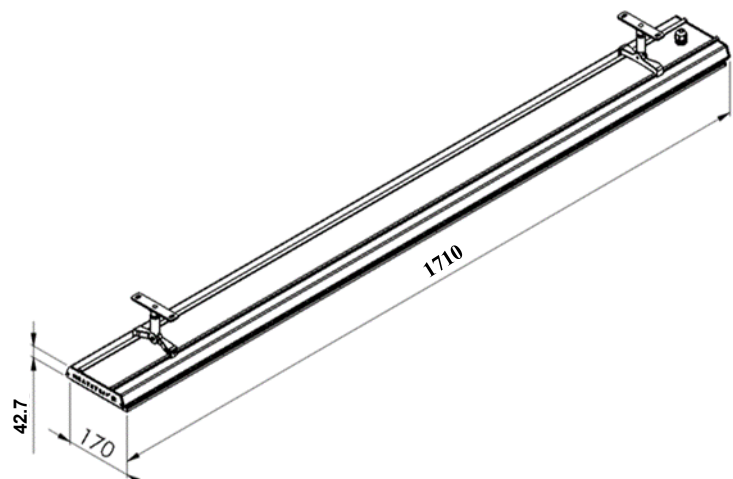
## Specificaties

MODEL	POWER (WATTS)	CURRENT (AMPS)	DIMENSIONS (mm)	WEIGHT (Kg)	LEAD LENGTH (mm)	PLUG
THE2400EUR	2400	10	1306 x 170 x 42.7	7	2000	YES
THE3200EUR	3200	13.3	1710 x 170 x 42.7	9	2000	NO

MODEL							
TYPE HEATER	Hangende elektrische heater met hoge intensiteit en grote geprofileerde oppervlakte van geanodiseerd aluminium.						
OUTPUT	Zie bovenstaande modeltabel						
SPANNING	230-240 volt nominaal bij 50-60 Hertz, 1-fase						
VERBINDING	3-aderige kabel 2,5 mm <sup>2</sup>						
KEURMERKEN	AUSTRALIË/CE						
MONTAGEHOOGTE	<table border="0"> <tr> <td>MINIMAAL</td> <td>2.1 m</td> </tr> <tr> <td>AANBEVOLEN</td> <td>2.3 m to 2.5 m</td> </tr> <tr> <td>MAXIMAAL</td> <td>2.7 m</td> </tr> </table>	MINIMAAL	2.1 m	AANBEVOLEN	2.3 m to 2.5 m	MAXIMAAL	2.7 m
MINIMAAL	2.1 m						
AANBEVOLEN	2.3 m to 2.5 m						
MAXIMAAL	2.7 m						
MONTAGEMOGELIJKHEDEN	Geschikt voor montage aan plafond, muur of balk. Geschikt voor vaste parasol- of inbouwmontage. Ook geschikt voor verlengde montage met behulp van stijve bevestigingsbuizen en kettingbeugels.						
BESCHERMINGSGRAAD	IP55-bescherming tegen indringing van water uit alle richtingen						
MATERIALS OF CONSTRUCTION	High temperature coated aluminium alloy						



THE2400EUR



THE3200EUR





## Vergelijking van bedrijfskosten

In veel gevallen worden terrasverwarmers aangedreven door gasflessen gebruikt als een bron voor buitenverwarming. De onderstaande tabel toont de vergelijking van de operationele kosten tussen HEATSTRIP® en een buitenverwarmer voor flessengas. Niet alleen zijn de bedrijfskosten per uur aanzienlijk lager met HEATSTRIP®, maar u hoeft zich nooit zorgen te maken over te weinig gas, geen bijvulling, geen onaantrekkelijke gasfles om ruimte te verspillen; en HEATSTRIP® verbetert eigenlijk de waarde van uw eigendom.

RUNNING COST	OUTDOOR GAS HEATER	HEATSTRIP ELEGANCE ELECTRIC RADIANT HEATER	
		THE2400EUR	THE3200EUR
PER HOUR	\$2.78/hr	\$0.60/hr	\$0.80/hr
PER YEAR	\$500.40	\$108.00	\$162.00

### Notes:

- Berekeningen van de uurloonkosten voor gasverwarming op gas zijn gebaseerd op een gemiddelde van \$ 25,00 om een gasfles van 9 kg en een gemiddelde looptijd van 9 uur te vullen.  $\$ 25,00 / 9 \text{ uur} = \$ 2,78 \text{ per uur}$
- Elektriciteitspercentage van 25 cent / kWh  
Alle berekeningen zijn exclusief GST.  
 $2.4\text{kW} \times 0.25 \text{ cent} = \$ 0.60 \text{ of } 60 \text{ cent per uur}$   
 $3,2\text{kW} \times 0,25 \text{ cent} = \$ 0,80 \text{ of } 90 \text{ cent per uur}$

Berekeningen van de jaarlijkse bedrijfskosten zijn gebaseerd op 180 uur gebruik

$180 \text{ uur} \times \$ 2,78 = \$ 500,40$  jaarlijkse bedrijfskosten voor gasverwarming op straat

$180 \text{ uur} \times \$ 0,60 = \$ 108,00$  jaarlijkse bedrijfskosten voor 2400 W HEATSTRIP Elegance

$180 \text{ uur} \times \$ 0,80 \text{ cent} = \$ 144,00$  jaarlijkse gebruikskosten voor 3200 W HEATSTRIP Elegance



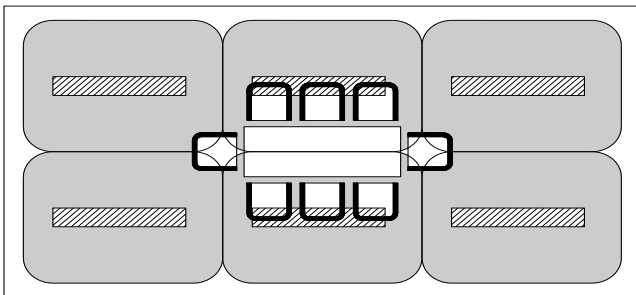
## Puntverwarmingsprincipe

Bij de meeste toepassingen in buitenruimtes of moeilijk te verwarmen binnenruimtes zijn er twee mogelijkheden waar u uit kunt kiezen wat betreft de grootte en capaciteit van de vereiste heaters. De eerste mogelijkheid is het hele gebied van comfortwarme te voorzien op basis van de afmetingen van de ruimte, afhankelijk van of de hele ruimte gebruikt wordt. De tweede mogelijkheid is om puntverwarming toe te passen bij de gebieden die het meest gebruikt worden, zoals boven buitentafels, barbecues, loungehoeken, lopende banden of indoor werkplaatsen

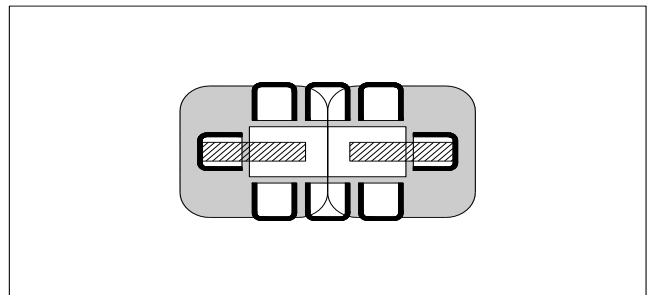
Voor dit soort gebieden is puntverwarming vaak praktischer en efficiënter. Puntverwarming zorgt voor lagere aanschafkosten, maar ook lagere gebruikskosten. Met puntverwarming kunt u de ruimte indelen in zones, wat inhoudt dat alleen de gebruikte gebieden verwarmd worden, zoals tafels in een restaurant of een buitenterras.

De bovenste afbeelding toont een vergelijking tussen puntverwarming boven een tafel en het verwarmen van het hele gebied.

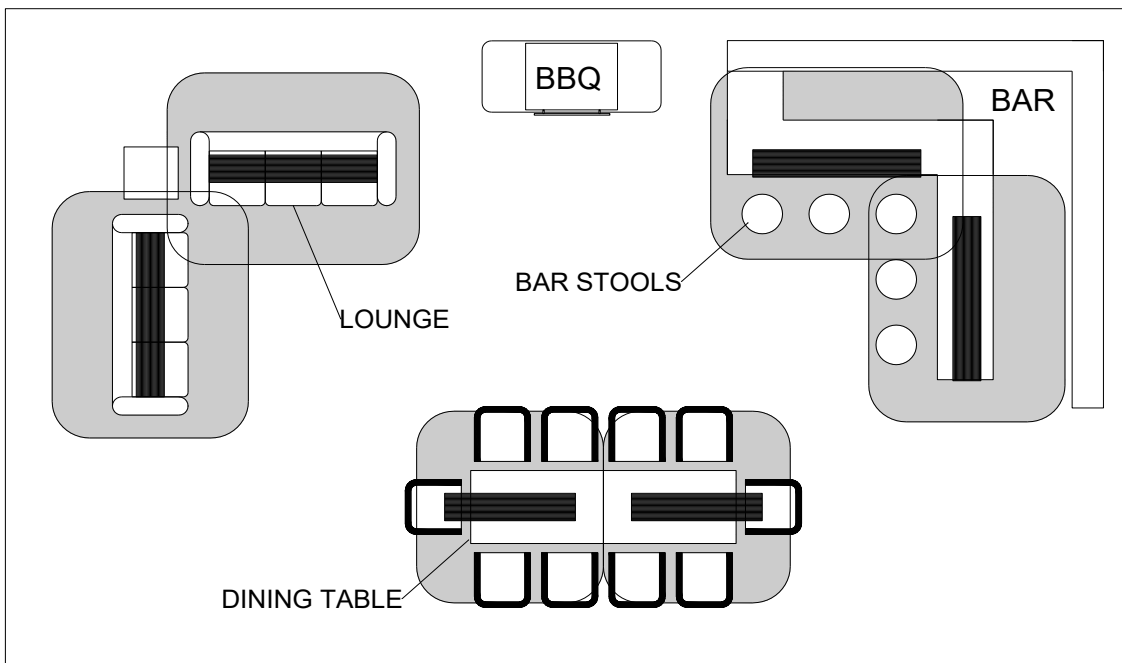
De onderste afbeelding toont de flexibiliteit van het gebruik van HEATSTRIP om een comfortabele omgeving te creëren, zelfs bij ongewone indelingen.



Option 1: 6 x THE2400EUR



Option 2: 2 x THE2400EUR







## Straalrichting

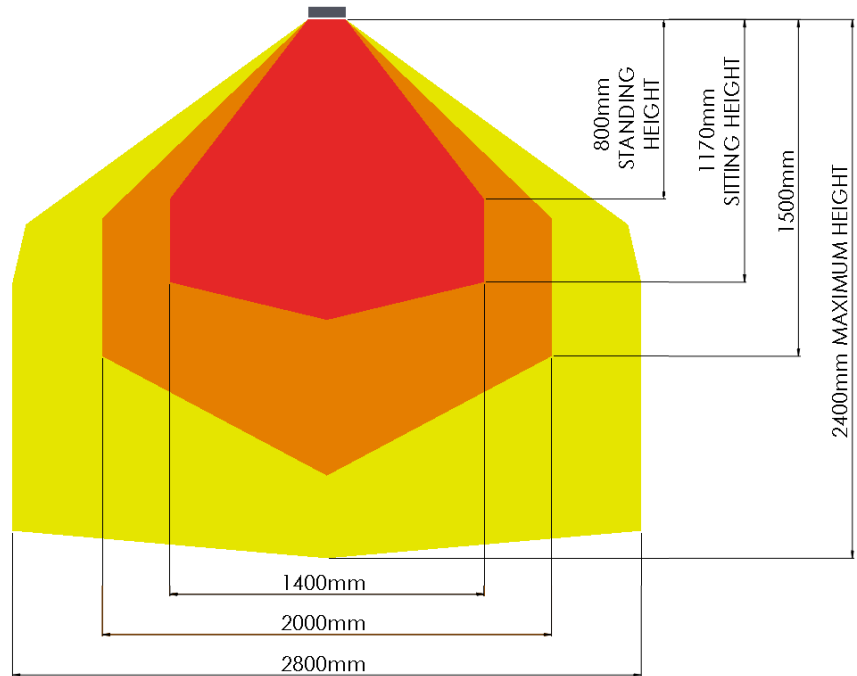
HEATSTRIP elektrische heaters produceren stralingswarmte, die objecten verwarmt in plaats van de lucht. Het is daarom van groot belang dat de objecten die verwarmd dienen te worden (bijv. mensen) zich in de straalrichting van de heater bevinden.

De diagram geeft de straalrichting weer van HEATSTRIP Design en is bij benadering een richtlijn, gebaseerd op een volledig omsloten buitenruimte.

Dit diagram toont aan dat de maximale warmteoutput zich direct onder de heater bevindt en dat deze verder bij de heater vandaan afneemt.

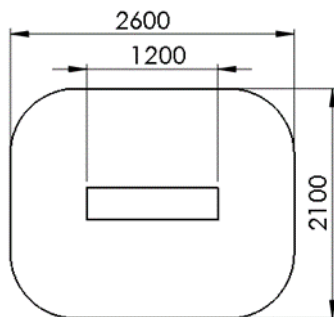
Hieruit blijkt hoe belangrijk het is dat de aanbevolen montagehoogtes worden opgevolgd en dat de heater recht boven de te verwarmen locatie wordt gemonteerd (indien mogelijk).

De temperatuur (d.w.z. oppervlaktetemperatuur) is gelijk voor beide modellen, ongeacht het wattage. Naarmate de afmetingen en lengte van de unit toenemen, wordt de straalrichting echter breder en langer.

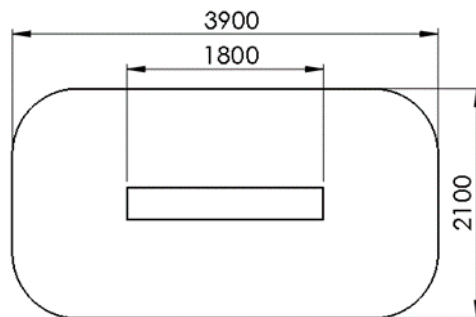


De onderstaande diagrammen tonen de geschatte verwarmingsgebieden voor elk model, gebaseerd op omsloten omgevingen, zowel binnen als buiten, met rechtstreeks hangende bevestiging. De straalrichting neemt af bij gekantelde toepassing aan de muur.

### HEATED AREA INDOOR SPOT HEATING

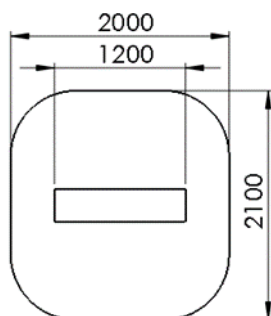


THE2400EUR

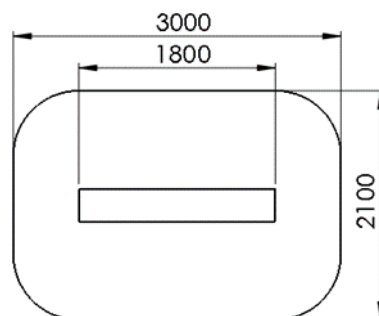


THE3200EUR

### HEATED AREA OUTDOOR ENCLOSED HEATING



THE2400EUR



THE3200EUR

## Keuzegids

Algemene aanbevelingen voor HEATSTRIP® Elegance:

Ideale montagehoogte: 2,3m tot 2,5m. Het maximum is 2,7 m in een volledig beschermde / afgesloten buitenomgeving.

Ideale montagelocatie: plafondmontage, direct boven te verwarmen oppervlakte (bijv. Boven een tafel)

De minimale aanbevolen verwarmingscapaciteit voor verschillende installaties is: 400W / m2 voor spotverwarming binnenhuis; 500W / m2 voor beschermde buitengebieden en 600W / m2 voor blootgestelde buitenruimtes. Om ervoor te zorgen dat de HEATSTRIP® Elegance bevredigende prestaties levert, raadt Thermofilm ten sterkste aan om conservatieve dekingsgebieden te gebruiken wanneer wordt gespecificeerd hoeveel verwarmers vereist zijn voor elke installatie.

De onderstaande tabel geeft een overzicht van de maximale dekking van elk HEATSTRIP® Elegance-model op basis van 2 verschillende scenario's met directe montage boven het hoofd op een minimale installatiehoogte. Voor een buitengebied dat wordt beschermd tegen heersende winden door muren, café-jaloezieën enz., Bestrijkt Model THE2400R een maximum van 4.8m2 en bestrijkt Model THE3200R maximaal 6.4m2.

Voor toepassingen met schuine wandmontage wordt de dekking met maximaal 40% verminderd.

MODEL	INDOOR PROTECTED (m <sup>2</sup> )	OUTDOOR ENCLOSED (m <sup>2</sup> )	OUTDOOR EXPOSED (m <sup>2</sup> )
THE2400EUR	6	4.8	4
THE3200EUR	8	6.4	5.3

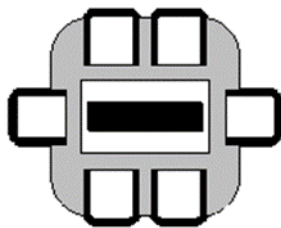




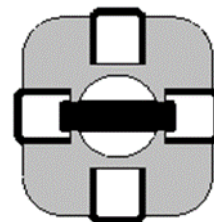
## Tafelindeling

Voor de meeste buitentoepassingen is puntverwarming voor tafels of gelijksoortige gebieden de meest effectieve methode. De onderstaande diagrammen vormen een eenvoudige keuzegids voor het model en het totale aantal kachels dat vereist is om veelvoorkomende tafelindelingen te verwarmen.

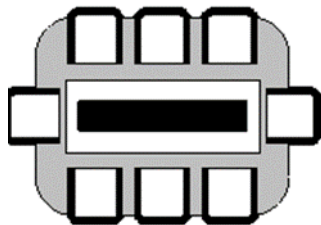
De selecties zijn gebaseerd op HEATSTRIP Elegance, 2,4 m boven de vloer bevestigd, en een volledig omsloten overdekte buitenruimte.



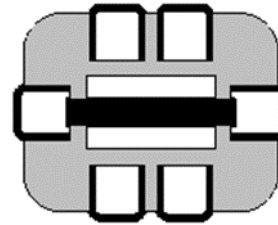
THE2400EUR



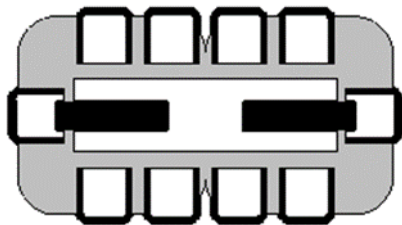
THE2400EUR



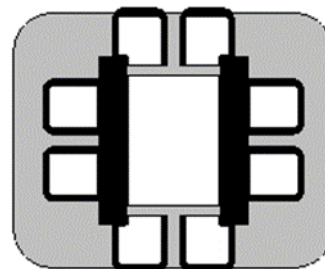
THE3200EUR



THE3200EUR



2x THE2400EUR



2x THE3200EUR

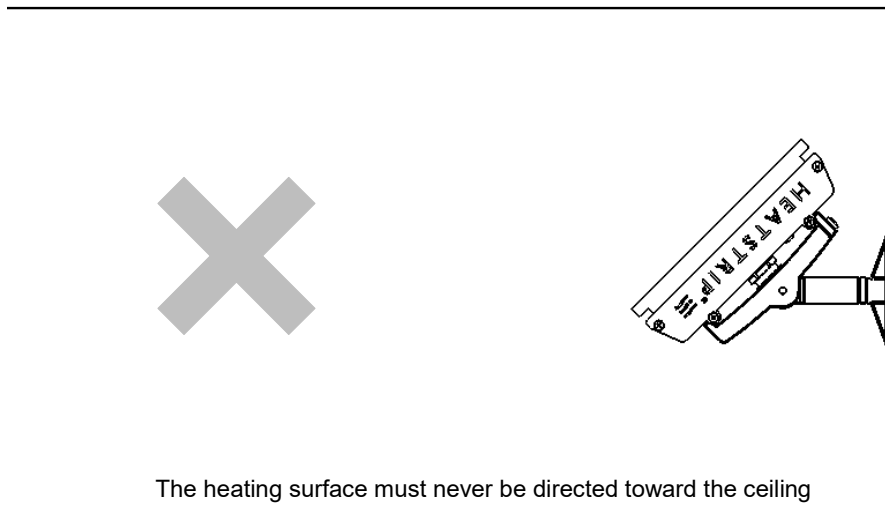
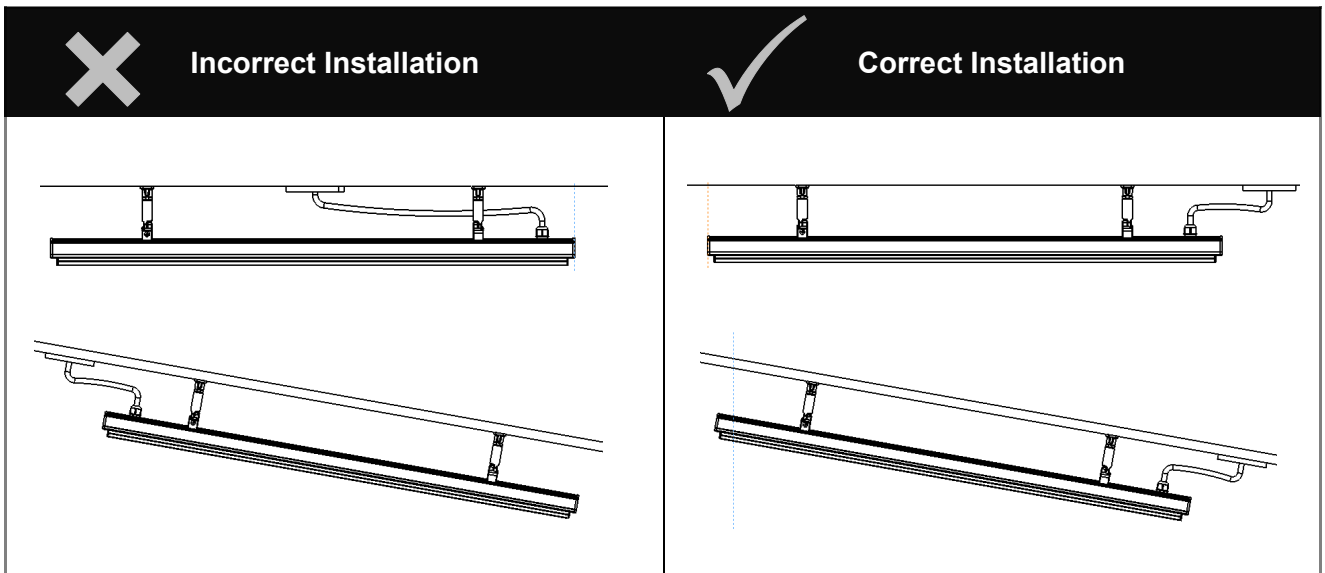
## Installatievereisten

De ideale montagelocatie voor de HEATSTRIP Elegance is aan het plafond, recht boven het te verwarmen gebied. Indien dit niet mogelijk is kan HEATSTRIP Elegance aan de muur bevestigd worden en naar beneden gericht worden. Zorg er in dit geval voor dat is, kan montagehoogte tussen de 2,4 m en 3,0 m ligt en dat de tafel binnen 3,0 m van de muur staat.

Voor montagehoogtes hoger dan 3,5 m raden we het gebruik van de optionele accessoires aan om de heater te verlagen tot 2,4 - 3,5 m. Dit verhoogt de effectiviteit van uw HEATSTRIP. Zie het hoofdstuk over montageaccessoires voor meer informatie.

Elektrische aansluitingen/stopcontacten mogen zich nooit achter de heater bevinden. Ze moeten buiten de fysieke locatie van de heater geplaatst zijn om de opbouw van warmte achter de units te beperken.

Indien de heater schuin wordt gemonteerd (bijv. gewelfd plafond), dient u ervoor te zorgen dat de elektrische aansluiting zich bij het laagste punt van de heater bevindt.

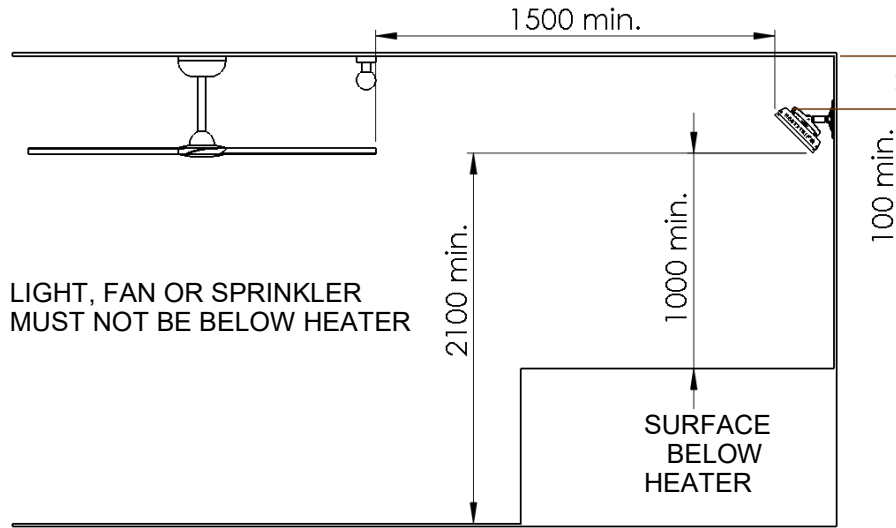




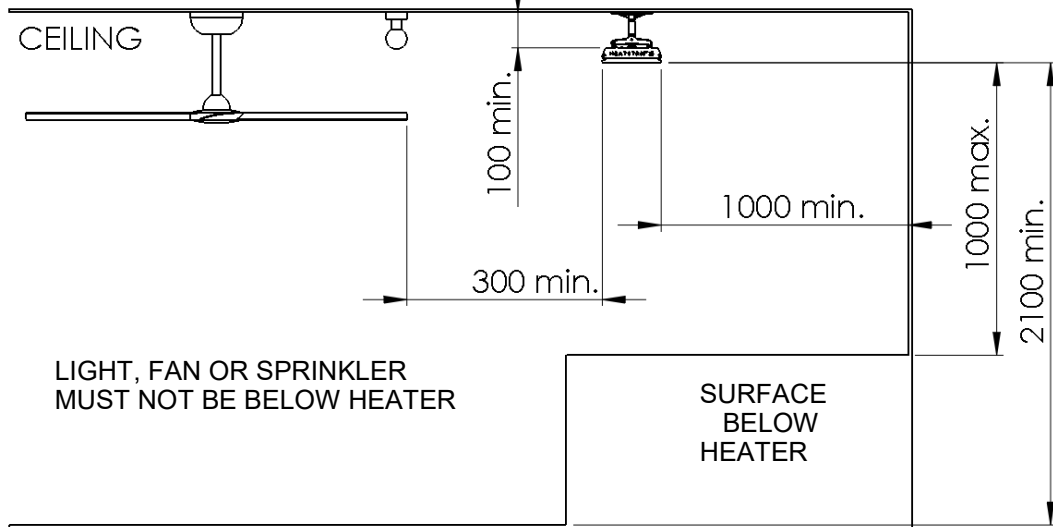
**Montagelocatie** — het onderstaande diagram geeft de aanbevolen minimumafstanden weer.

**WARNING:** This heater is not equipped with a device to control the room temperature. Do not use this heater in small rooms when they are occupied by persons not capable of leaving the room on their own, unless constant supervision is provided.

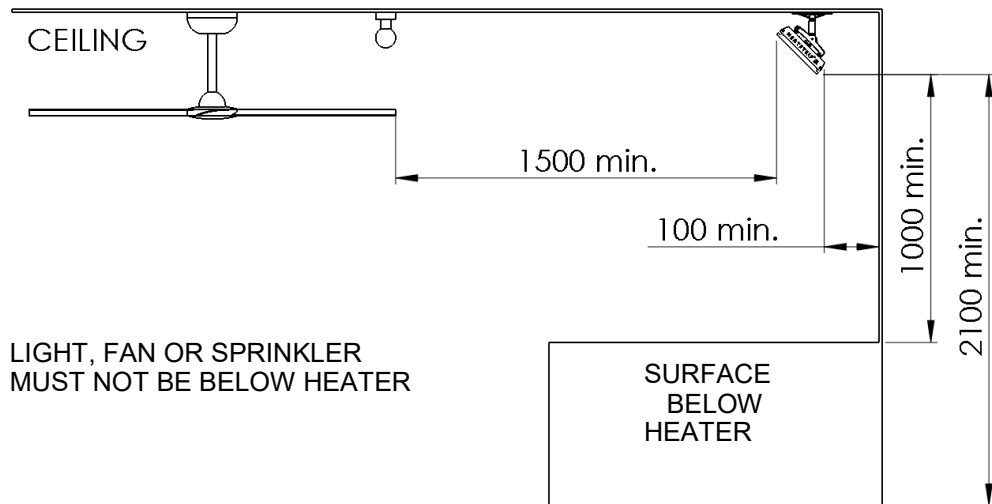
**Angled  
Wall  
Installation**



**Ceiling  
Installation**



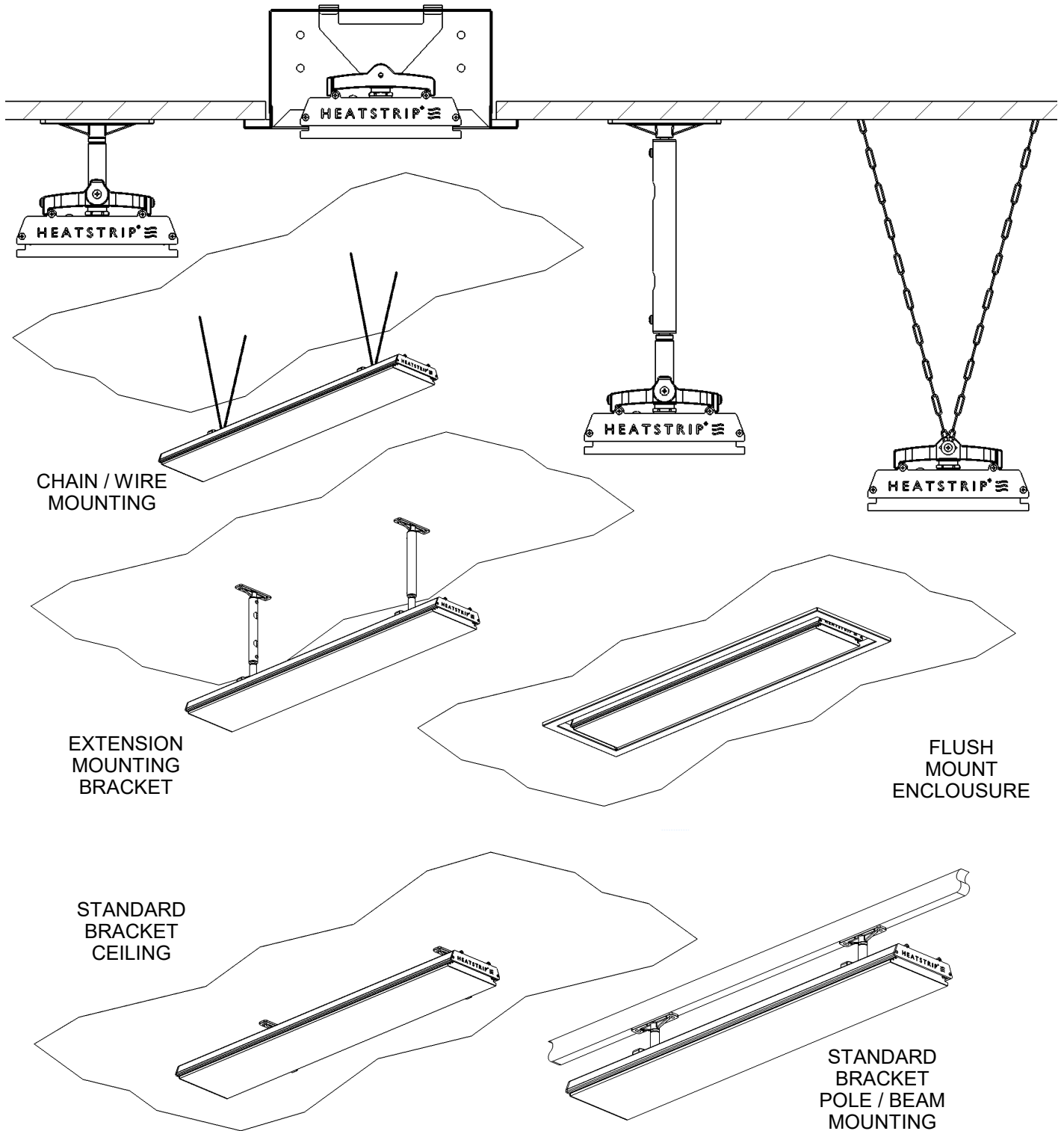
**Angled  
Ceiling  
Installation**



## Montagemogelijkheden

Met de standaard bijgeleverde montagebeugels is de HEATSTRIP Elegance eenvoudig te monteren. Voor andere, moeilijkere locaties zijn er diverse montagemogelijkheden beschikbaar – zie de onderstaande diagrammen.

De HEATSTRIP Elegance kan op meerdere manieren bevestigd worden: rechtstreeks aan het plafond, schuin naar beneden gericht aan de muur, ingebouwd in het plafond, hangend aan kettingen of buizen, bevestigd aan balken of buizen, end-to-end of twee units naast elkaar. Zie de volgende pagina's voor gedetailleerdere informatie over elke montagemogelijkheid.

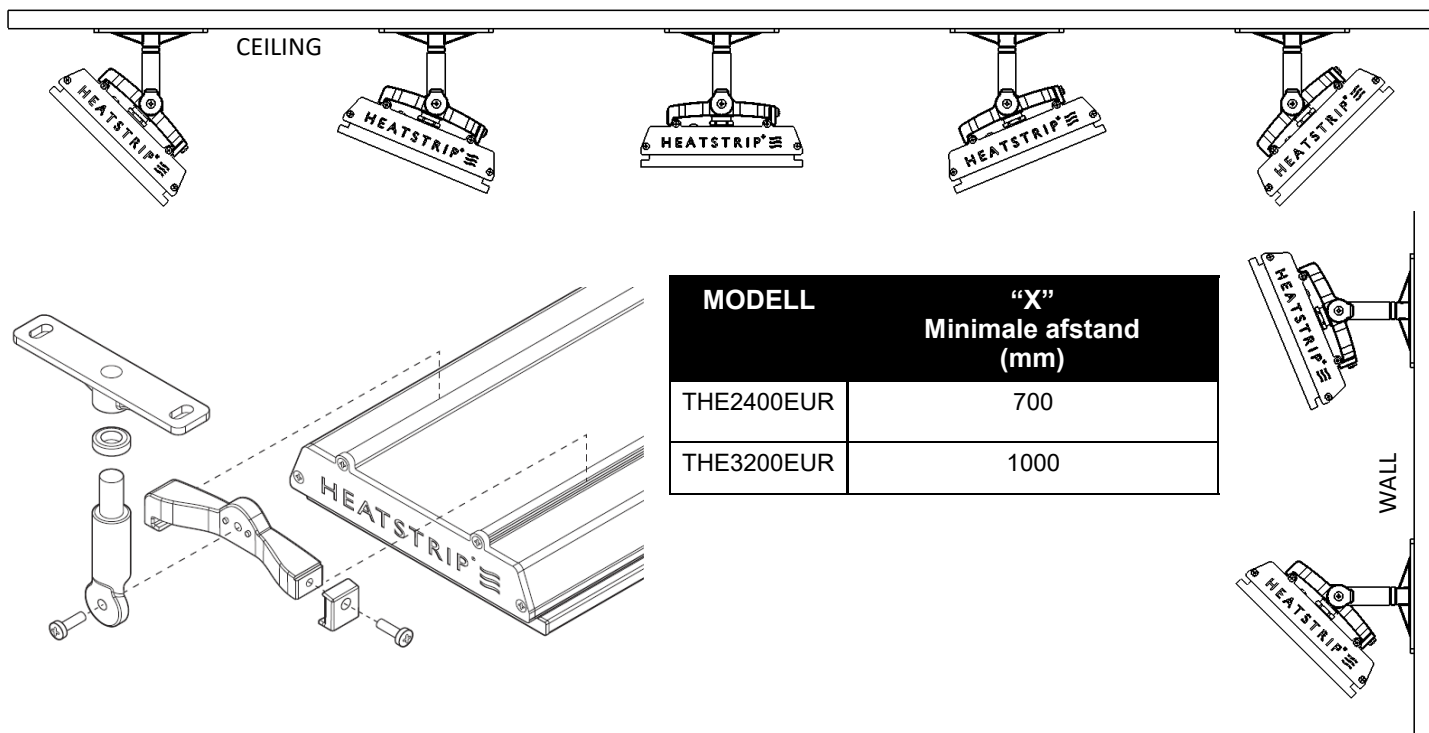




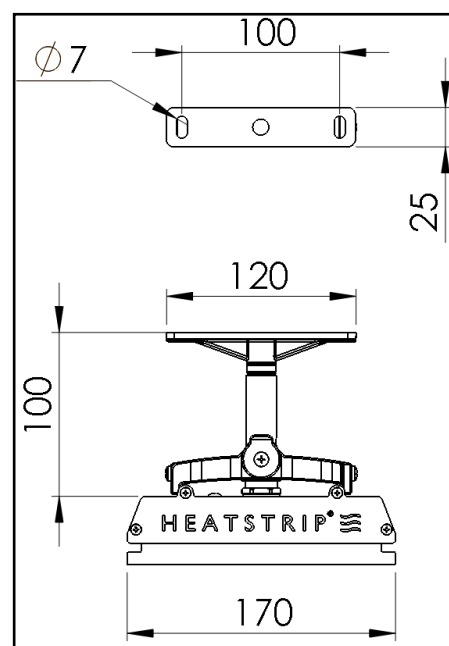
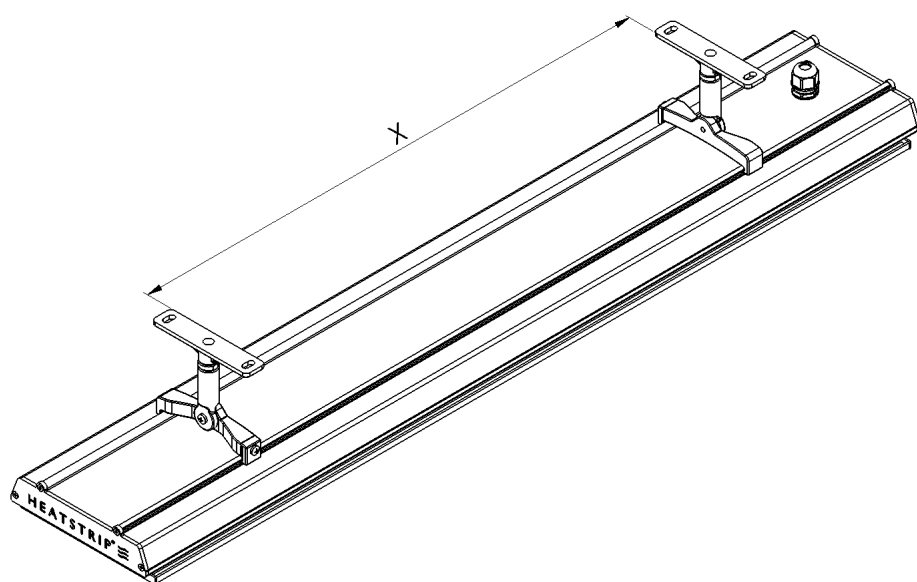


## Standaard montagebeugels

Bij de HEATSTRIP Design worden twee standaard montagebeugels geleverd. Met deze instelbare beugels kunt u de heater rechtstreeks aan het plafond of op de muur bevestigen. Deze montagebeugels kunnen standaard parallel of onder een hoek van 22,5° of 45° worden ingesteld.



MODELL	"X" Minimale afstand (mm)
THE2400EUR	700
THE3200EUR	1000



ONDERDEEL NUMMER	VERPAKT AFMET- INGEN (mm)	GEWICHT (kg)	MATERIAL
ZBRAK-113W	125 x 150 x 40	0.2	ALLOY

## Flush Mount Enclosure Afmetingen

De inbouw-behuizing is een ideale gelegenheid om netjes installeren van de HEATSTRIP in een deken. Ze zijn beschikbaar voor alle HEATSTRIP Elegance modellen en worden als één enkel toestel dat geschikt is voor de installatie van individuele warmtebronnen. De inbouw Kan gebruikt worden met gips of hout voeringen.

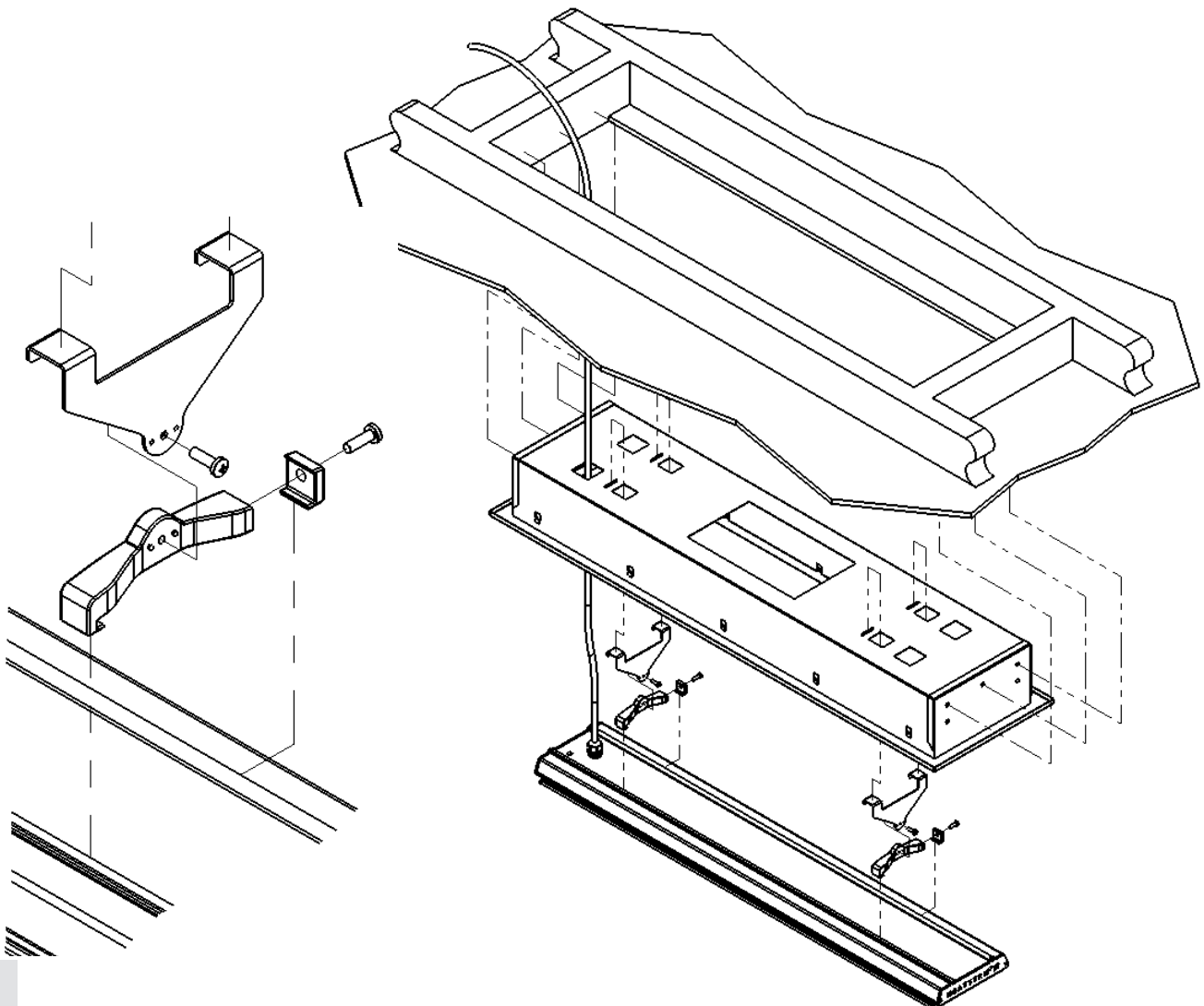
Een ideale montagehoogte is 2,3 m-2.5m, met een maximale plafondhoogte van 2.7m buiten. Maximum montagehoogtes moeten strikt worden nageleefd, anders zal de prestaties van de apparatuur kan worden verminderd

Een minimale afstand van 50 mm buiten de behuizing is aangebracht.

De behuizing is gemaakt van gepoedercoat staal.

Voor gedetailleerde installatie-instructies, verwijzen wij u naar de installatie-instructies voor de ingebouwde inbouwruimte.

SUITABLE FOR MODEL	PART No	HOLE CUTOUT DIMENSIONS (mm)	OVERALL DIMENSIONS (mm)	WEIGHT (kg)
THE2400EUR	THERAC-056	240 x 1390	290 W x 1440 L x 201 D	8
THE3200EUR	THERAC-057	240 x 1790	290 W x 1840 L x 201 D	9



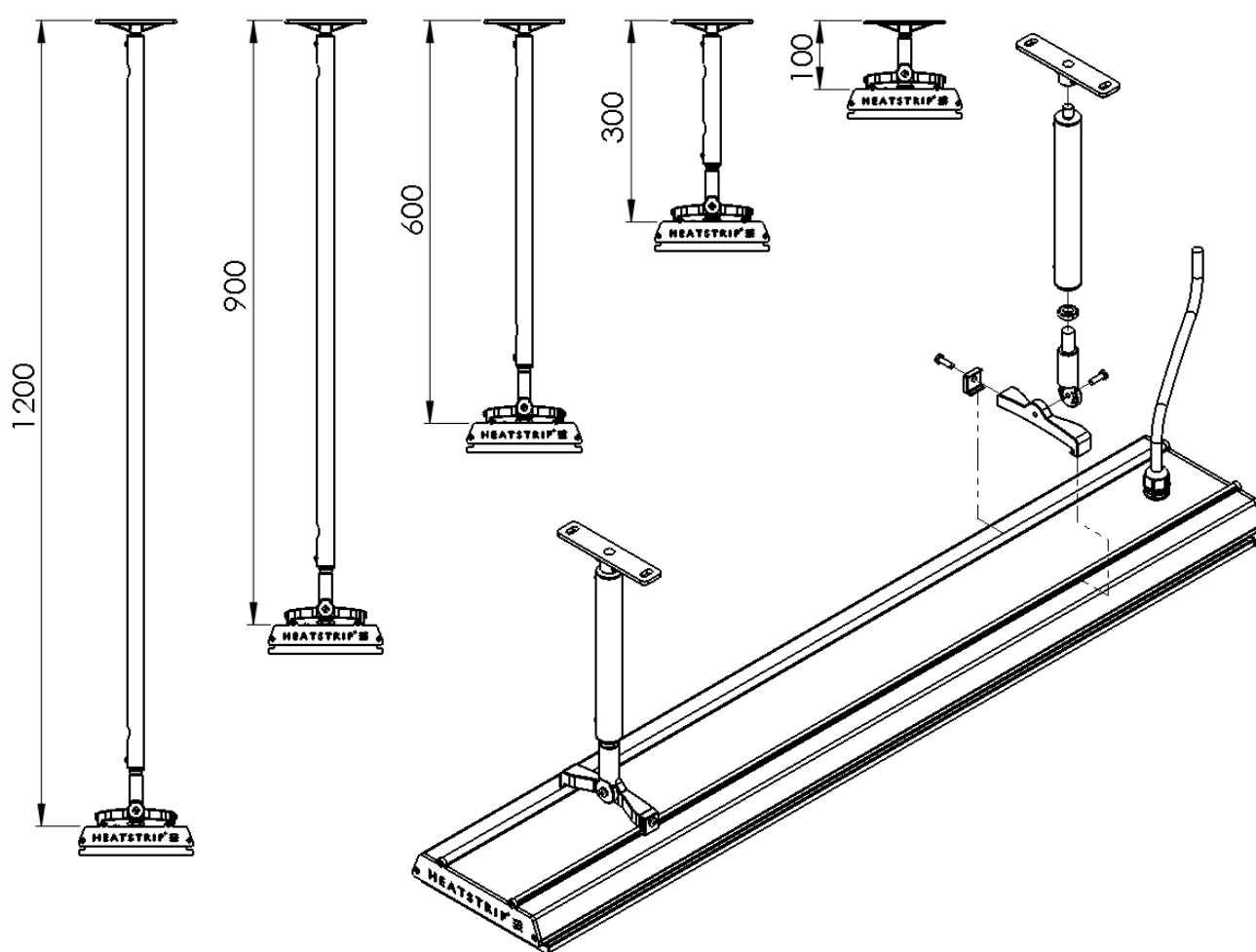


## Verlengde montagebeugel

Met de verlengde montagebeugel kunnen HEATSTRIP Elegance-units met stijve verbindingen verlaagd worden bevestigd aan hoge plafonds. De beugels zijn geschikt voor gebruik met 25 x 25 x 1 mm buizen (SHS) en worden geleverd als een complete kit met beugels, voorgesneden buizen en verbindingen. De standaardlengtes in de kit zijn 300 mm, 600 mm, 900 mm en 1200 mm.

De kits bevatten alle beugels, buizen en schroeven die nodig zijn voor verbinding met de heaters, maar worden geleverd zonder schroeven voor bevestiging aan het plafond.

\*screws to ceiling are not included



PART No	PACKAGED DIMENSIONS (mm)	WEIGHT (kg)	MATERIALS	NOTES
THEAC-043	300 x 150 x 50	0.21	Aluminium	Kit includes 2x300mm extension pole
THEAC-044	600 x 150 x 50	0.38	Aluminium	Kit includes 2x600mm extension pole
THEAC-045	900 x 150 x 50	0.55	Aluminium	Kit includes 2x900mm extension pole
THEAC-046	1200 x 150 x 50	0.71	Aluminium	Kit includes 2x1200mm extension pole



## Hangende montagebeugel

De hangende montagebeugel biedt een goedkope, eenvoudige en effectieve manier om de HEATSTRIP Design aan hoge plafonds op te hangen. Als het plafond hoger is dan 3,0 m in een omsloten buitenruimte, of 2,7m in een open ruimte, raden wij aan de heater te verlagen tot een ideale montagehoogte van 2,3m tot 2,7m.

De beugel is ontworpen voor gebruik met kettingen of kabels.

Zoals de onderstaande diagrammen laten zien, zijn er meerdere montage mogelijkheden met kettingen/kabels.

Opmerking: de kettingen/kabels worden niet meegeleverd met de heaters.

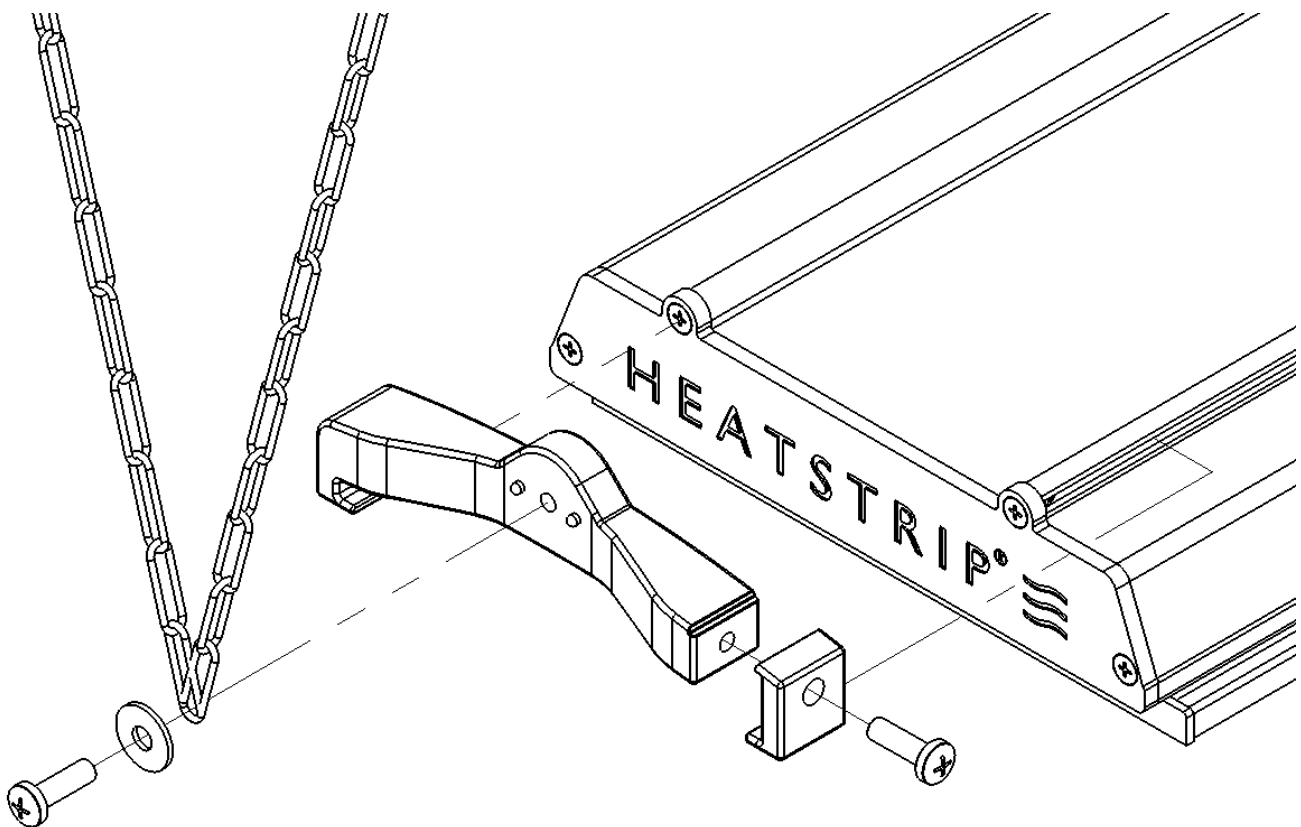


Diagram above shows one potential means of installation using chain or wire



## THE-R bedieningscontrole met afstandsbediening

De THE-R is een op maat ontworpen en gefabriceerde verwarmers. Het is ontworpen met het oog op gebruiksgemak en lage gebruikskosten van uw verwarming. Het biedt zowel temperatuurregeling (waardoor de gebruiker het verwarmingsvermogen omhoog of omlaag kan draaien afhankelijk van de omgevingstemperatuur en omstandigheden) en een timer voor de automatische werking van de verwarming

Wanneer de kachel is aangesloten, drukt u op "power" op de afstandsbediening, gaat het stroomlampje op het apparaat branden en drukt u vervolgens op de functieknop. Het biedt zowel temperatuurregeling die de gebruiker in staat stelt om de warmteafgifte Hoog of Laag en een timer voor de werking van de automatische verwarming, hetzij 1, 2 of 4 uur, te draaien.

### THE-R-functies

De verwarmers maakt een combinatie mogelijk van de meervoudige timer (1/2/4 uur) en de warmte-uitgangen (hoog / laag). De standaardbewerking is continu bedrijf bij volle temperatuur.

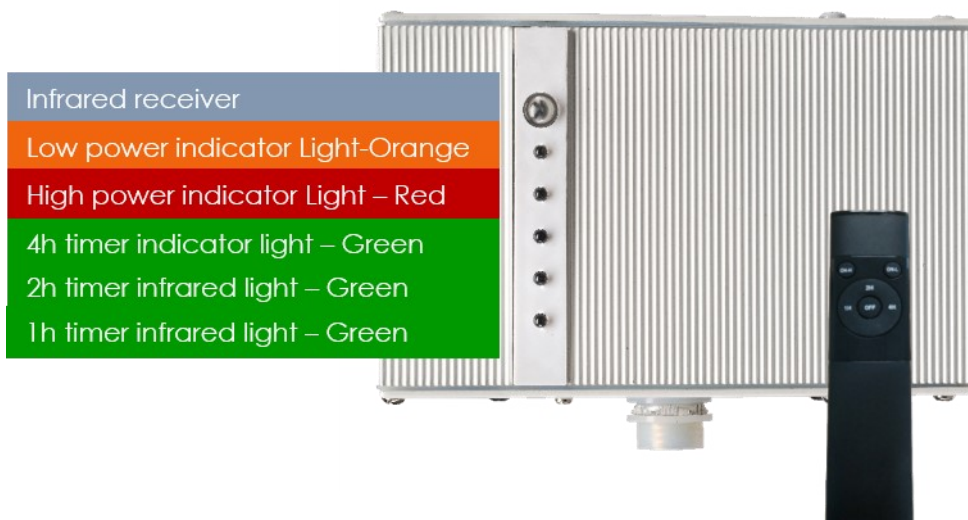
De timerfunctie heeft vier instellingen: 1 uur, 2 uur, 4 uur of constant AAN. Deze functie is ideaal voor toepassingen zoals in de buitenlucht, dineren in restaurants, assemblagelijnpductie, enz. Wanneer continue warmte niet nodig is. De timer vermindert ook de kans dat verwarmingselementen onopzettelijk aan blijven staan.

Afhankelijk van de omgevingstemperatuur kan het nodig zijn om de warmte aan te passen. De controller heeft 2 instellingen: deze zijn Hoog en Laag.

### Remote-koppeling

Alle apparaten werken met dezelfde afstandsbedieningsfrequentie. Meerdere verwarmingen kunnen dus met één afstandsbediening worden bediend.

De afstandsbediening zal op een afstand van meer dan 8 m functioneren als deze in een rechte lijn wordt gebruikt. Deze afstand wordt minder bij gebruik onder een hoek.



Controller functionality, please refer to page 17.

## Afstandsbediening

### Signaalzender

- Om de afstandsbediening te gebruiken, richt de zender op de verwarming. Er is een gezichtslijntransmissie vereist om de unit te laten werken.
- De controller heeft geen beschermingsklasse. De controller moet uit de buurt van natte applicaties worden gehouden.
- De afstandsbediening zal op afstanden van meer dan 8 m functioneren als deze in een rechte lijn wordt gebruikt. Deze afstand wordt minder bij gebruik onder een hoek.

### Geautomatiseerde afteltimer

- Druk op 1H om te beginnen met 1 uur automatisch uitschakelen.
- Druk op 2H om de automatische stoptijd van 2 uur te starten.
- Druk op 4H om het automatisch afsluiten van 4 uur te starten.

### Ontvanger

- Ontvanger bevindt zich op de kachel.



### Temperatuurregelknop

- Druk op ON-H temperatuur wordt aangepast naar HOOG.
- Druk op ON-L, de temperatuur wordt aangepast naar LAAG.

### UIT-knop

- Druk één keer op deze knop om de werking UIT te schakelen.

### Accu

- AAA-batterij vereist voor gebruik.



### REMOTE FUNCTIONS

ON-H	Temperatuur hoog
ON-L	Temperatuur laag
OFF	Unit uit
1H	1H automatische timer
2H	2H automatische timer
4H	4H automatische timer

Infrared receiver  
 Low power indicator Light-Orange  
 High power indicator Light - Red  
 4h timer indicator light - Green  
 2h timer infrared light - Green  
 1h timer infrared light - Green





## Veiligheid

HEATSTRIP Elegance beschikt over beschermingsgraad IP55. Dit houdt in dat de unit beschermd is tegen indringing van water vanuit alle richtingen. De HEATSTRIP kan zonder problemen schoongemaakt worden.

HEATSTRIP is uitgebreid getest in laboratoria, de fabriek van Thermofilm in Melbourne en in de praktijk in Australië en daarbuiten. Dankzij al deze testen is de klant verzekerd van een product van zeer hoge kwaliteit.

Onafhankelijk laboratoriumonderzoek bevestigt volledige compliance met Australische en andere internationale standaarden, zoals CE, AS/ANZ en UL/CSE.

De heater is leverbaar als uitvoering met stekker (1800 W) en als uitvoering voor aansluiting op het vaste stroomnet (2400 W). Bij beide uitvoeringen dient de vaste bedrading door een erkende elektricien geïnstalleerd te worden met inachtneming van relevante wet- en regelgeving.

HEATSTRIP is Klasse 1-apparatuur en moet geaard zijn.

Als de heater is ingeschakeld, wordt hij ZEER HEET. Raak geen enkel onderdeel van de heater aan als deze is ingeschakeld. Raak geen enkel onderdeel aan tot dertig minuten nadat de heater is uitgeschakeld.

Dit apparaat is niet bedoeld voor gebruik door personen (waaronder kinderen) met verminderde lichamelijke, zintuiglijke of verstandelijke vermogens of door personen met een gebrek aan ervaring en kennis, tenzij zij onder toezicht staan van of instructies ontvangen over het gebruik van het apparaat van een persoon die verantwoording draagt voor hun veiligheid. Kinderen dienen in de gaten gehouden te worden om ervoor te zorgen dat zij niet met het apparaat spelen.

Voorkom dat kabels, meubilair, brandbare materialen of andere items in contact komen met de oppervlakte van de heater.

Indien geïnstalleerd in een vochtige ruimte dienen de schakelaars of regelaars van de heater buiten het bereik van personen in bad of onder de douche geplaatst te worden.

De heater dient volgens de installatievereisten geplaatst te worden, met name wat betreft de minimumafstanden. De heater dient op een stijve beugel of bevestigingspunt bevestigd te worden.

De heater dient niet recht onder of voor een stopcontact bevestigd te worden.

In het geval van een kapot of beschadigd stroomsnoer dient het apparaat teruggebracht te worden naar de winkel waar het gekocht is voor retournering naar Cook & Heat B.V. voor reparatie.

## Onderhoud

De HEATSTRIP Elegance is gemaakt van duurzame materialen, maar regelmatig onderhoud kan de levensduur van uw heater verlengen.

Wij raden u aan de heater af te spoelen en de oppervlaktes van de heater met een droge doek met een mild schoonmaakmiddel schoon te maken om opgehoopt vuil te verwijderen. Spoel de heater vervolgens af en zorg dat er geen resten van het schoonmaakmiddel achterblijven.

Chemische stoffen in de lucht, waaronder sigarettenrook, luchtvervuiling, etc., beschadigen de oppervlakte van de heater. In dit geval is extra schoonmaak en onderhoud mogelijk vereist. Door de heater ten minste elke drie maanden schoon te maken, wordt ophoping tegengegaan en blijft de heater mooi. Indien de heater zich in een corrosieve omgeving bevindt, bijv. omdat deze in aanraking kan komen met zout, raden wij u aan de heater elke week schoon te maken door er zoet water op te sprayen. Schakel de heater na het schoonmaken twintig minuten in om eventuele waterresten te laten drogen en watervlekken te voorkomen.

Voordat u de heater gaat schoonmaken of inspecteren, dient de heater volledig uitgeschakeld en afgekoeld te zijn.

Gebruik geen schuurmiddelen of -producten om de heater schoon te maken, zoals oplosmiddelen, schoonmaakmiddelen op citrusbasis of andere ruwe schoonmaakproducten.

Zorg ervoor dat uw handen schoon zijn tijdens het bedienen van de heater of trek handschoenen aan, omdat vet en vuil de oppervlakte van de heater kunnen beschadigen. Gebruik geen hogedrukreinigers om de heater schoon te maken; gebruik alleen fijne waterspray.

## Garantie Voorwaarden & Conditie

### Algemene voorwaarden garantie

Cook & Heat B.V. garandeert aan de oorspronkelijke eigenaar dat HEATSTRIP Elegance-producten vrij zijn van materiaaldefecten en constructiefouten voor een periode van 24 maanden na datum van aankoop in overeenstemming met de volgende algemene voorwaarden:

Dekking van deze garantie is onderhevig aan de volgende voorwaarden:

- Het HEATSTRIP-product dient volgens de installatievereisten en relevante wet- en regelgeving geïnstalleerd te zijn.
- Het HEATSTRIP-product dient volgens de instructies in de installatiehandleiding onderhouden en schoongemaakt te worden.
- Er bestaat geen garantie, expliciet of impliciet, omtrent capaciteitsvereisten. De keuze voor een unit of units is volledig afhankelijk van het ontwerp van het systeem en de capaciteiten zoals bepaald door de koper.
- De klant dient het product op geen enkele ongeoorloofde wijze gerepareerd, geopend of aangepast te hebben.
- Deze garantie dekt geen schade aan de producten of onderdelen die is veroorzaakt door oorzaken buiten de macht van Cook & Heat B.V., waaronder, maar niet beperkt tot, oneigenlijk gebruik van het product, reparatie van het product, onjuiste installatie, onjuiste stroomvoorziening, schade veroorzaakt tijdens transport, foutieve toepassing, verkeerd gebruik, misbruik, vandalisme, gebrek aan onderhoud of een ongeluk.
- De verplichtingen van Cook & Heat B.V. zijn beperkt tot reparatie of vervanging van onderdelen die naar mening van Cook & Heat B.V. defect zijn.
- Garantie is beperkt tot reparatie of vervanging van onderdelen van het product die naar mening van Cook & Heat B.V. defect zijn.
- Transportkosten als gevolg van retournering van het product naar de fabriek van Cook & Heat B.V. (of een andere locatie schriftelijk erkend door Cook & Heat B.V.) zijn voor rekening van de klant.
- Alle producten worden voorafgaand aan verzending geïnspecteerd en getest en zijn na verzending vanuit Cook & Heat B.V. voor risico van de koper indien het transport niet door Cook & Heat B.V. wordt verzorgd.
- Op den duur kan de oppervlakte verkleuren; dit wordt niet gedekt door deze garantie.
- De heaters kunnen verdraaien en verbuigen; dit wordt niet gedekt door deze garantie.
- Producten of onderdelen worden pas geleverd na een inspectie van het defecte product of onderdelen door Cook & Heat B.V. of een erkende vertegenwoordiger van Cook & Heat B.V.
- Cook & Heat B.V. betaalt niet mee aan locatiekosten of arbeidskosten voortkomend uit het vervangen, repareren, verwijderen, installeren, onderhouden, transporteren of verwerken van onderdelen van complete producten, en is niet verantwoordelijk voor onderdelen die gerepareerd of vervangen zijn zonder schriftelijke toestemming. Cook & Heat B.V. is niet aansprakelijk voor het niet kunnen voldoen aan de verplichtingen van deze garantie of een vertraging daarvan veroorzaakt door omstandigheden buiten zijn macht, inclusief, maar niet beperkt tot, wettelijke of overheidsbeperkingen, stakingen, branden, overstromingen, extreme weersomstandigheden en vertraagde levering van onderdelen.

Indien producten bij ontvangst beschadigd zijn, dient u het transportbedrijf onmiddellijk op de hoogte te stellen van de schade en deze op de vrachtbrief te vermelden. Indien er na het uitpakken schade wordt vastgesteld, eis dan onmiddellijke inspectie van het vervoersbedrijf en zie erop toe dat de schade wordt vermeld op de vrachtbrief.

De klant belooft het product te gebruiken in overeenstemming met:

- Alle instructies die Cook & Heat B.V. van tijd tot tijd geeft.
- Alle wet- en regelgeving, inclusief, maar niet beperkt tot, alle relevante elektrotechnische normen en milieuwetten en -regels omtrent installatie, opslag, gebruik, verwerking en onderhoud van de goederen.
- Alle noodzakelijke en relevante voorzorgs- en veiligheidsmaatregelen met betrekking tot installatie, opslag, gebruik, verwerking en onderhoud van de goederen.

Gedistribueerd door:

Geproduceerd door:

**Cook & Heat B.V.**  
[www.heatstrip.eu](http://www.heatstrip.eu)

**Thermofilm Australia Pty Ltd**  
17 Johnston Court  
Dandenong South  
Victoria 3175 Australia

# Product Manual



**HEATSTRIP<sup>®</sup> ELEGANCE with Remote-  
EUROPE**

*Le radiateur design !*



## CONTENTS

Rev A Apr19

Présentation du produit _____	43
Caractéristiques _____	44
Principe de chauffage par points _____	45-46
Empreinte radieuse _____	47
Guide de sélection _____	48
Disposition de la table _____	49
Exigences d'installation _____	50
Emplacement d'installation _____	51
Options de montage _____	52
Supports de montage standard _____	53
Boîtier encastrable _____	54
Dimensions FME _____	54
Dimensions du jeu d'installation FME _____	54
Instructions d'installation FME _____	54
Support de montage d'extension _____	55
Support de suspension _____	56
Contrôleur mural avec télécommande _____	57-58
Sécurité, maintenance _____	59
garantie _____	60
Dutch _____	21
French _____	41
German _____	61



## Chauffage électrique performant et financièrement avantageux

La conception novatrice du HEATSTRIP garantit une dispersion confortable et régulière de la chaleur pour un coût de fonctionnement minimal.

### Conception flexible

Les trois modèles HEATSTRIP Elegance permettent de répondre à tous les besoins de chauffage en extérieur ou dans les grands espaces intérieurs. Les supports de fixation fournis permettent une installation au plafond ou sur le mur (oblique). HEATSTRIP propose, en option, des supports de fixation sur poutre ou sur parasol fixe, des extensions pour supports de fixation, des supports de fixation à chaînes, des supports de fixation jumelés et des boîtiers encastrables.

### Fabriqué en Australie

Conçu, fabriqué et assemblé en Australie

Élégant, HEATSTRIP a un front Off-White standard et un boîtier arrière en alliage anodisé.

### Facile à utiliser

Le radiateur HEATSTRIP standard est actionné par un simple interrupteur on/off. Il peut être branché directement sur une prise électrique ou raccordé au circuit électrique et équipé d'un interrupteur mural. Il faut environ 5 minutes à l'unité pour atteindre la température maximale et environ 30 minutes pour refroidir (selon la température ambiante). Ne pas oublier d'éteindre l'unité.





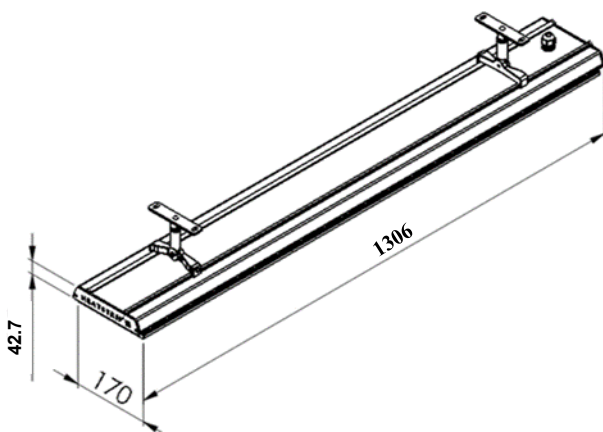


## Spécifications

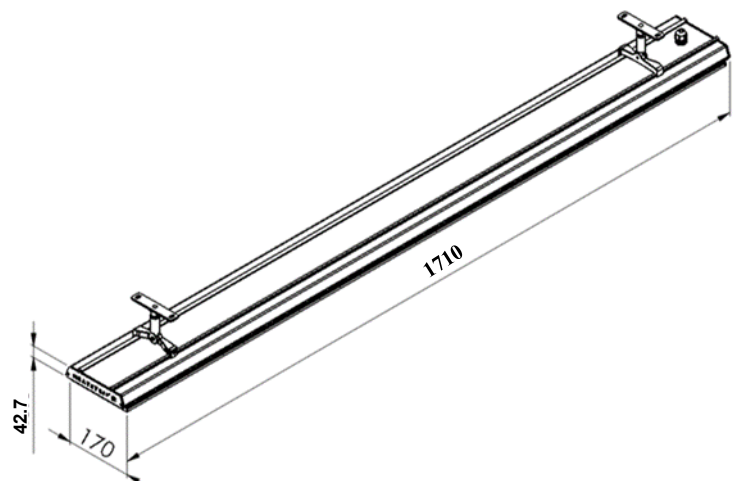
MODÈLE	PUISSANCE (WATTS)	INTENSITÉ (AMPÈRES)	DIMENSIONS (MM)	POIDS (kg)	LONGUEUR DU CÂBLE (MM)	PLUG
THE2400EUR	2400	10	1306 x 170 x 42.7	7	2000	YES
THE3200EUR	3200	13	1710 x 170 x 42.7	9	2000	NO

### MODEL

TYPE DE RADIATEUR	Radiateur électrique rayonnant suspendu de forte intensité avec surface en alliage profilé		
PUISSANCE	Se reporter au tableau ci-dessus		
ALIMENTATION	230-240 V, 50-60 Hz, monophasé		
RACCORDEMENT	Câble 3 fils, 2,5 mm <sup>2</sup>		
CERTIFICATIONS	AUSTRALIA/CE		
MOUNTING HEIGHT	MINIMALE	2.1 m	
	RECOMMANDÉE	2.3 m to 2.5 m	
	MAXIMALE	2.7 m	
MOUNTING OPTIONS	Plafond, mur, poutre, parasol fixe et encastrement. Il est également possible de rallonger le support au moyen de tiges rigides ou de chaînes.		
PROTECTION RATING	IP55 Protection contre les projections d'eau de toute direction		
MATERIALS OF CONSTRUCTION	Australie		



THE2400R



THE3200R



## Comparaison des coûts d'exploitation

Dans de nombreux cas, les appareils de chauffage de terrasse alimentés par des bouteilles de gaz sont utilisés comme source de chaleur extérieure. Le tableau ci-dessous montre la comparaison des coûts opérationnels entre HEATSTRIP® et un appareil de chauffage d'extérieur à gaz en bouteille. HEATSTRIP® vous permet non seulement de réduire considérablement les coûts horaires de fonctionnement, mais vous n'avez jamais à craindre de manquer de gaz, de faire le plein, de faire une bouteille de gaz inesthétique pour perdre de la place; et HEATSTRIP® améliore réellement la valeur de votre propriété.

RUNNING COST	OUTDOOR GAS HEATER	HEATSTRIP ELEGANCE ELECTRIC RADIANT HEATER	
		THE2400EUR	THE3200EUR
<b>PER HOUR</b>	\$2.78/hr	\$0.60/hr	\$0.80/hr
<b>PER YEAR</b>	\$500.40	\$108.00	\$162.00

### Notes:

1. Les calculs des coûts de fonctionnement horaires pour le chauffage à gaz extérieur sont basés sur une moyenne de 25,00 \$ pour remplir une bouteille de gaz de 9 kg et une durée de fonctionnement moyenne de 9 heures.  $25,00 \$ / 9 \text{ heures} = 2,78 \$ \text{ l'heure}$
2. Taux d'électricité de 25,0 cents / kWh  
Tous les calculs excluent la TPS.  
 $2,4 \text{ kW} \times 0,25 \text{ centime} = 0,60 \$ \text{ ou } 60 \text{ centimes par heure}$   
 $3,2 \text{ kW} \times 0,25 \text{ centime} = 0,80 \$ \text{ ou } 90 \text{ centimes par heure}$

Les calculs des coûts d'exploitation annuels sont basés sur une utilisation de 180 heures

$180 \text{ heures} \times 2,78 \$ = 500,40 \$$  de frais de fonctionnement annuels pour le chauffage à gaz extérieur

$180 \text{ heures} \times 0,60 \text{ USD} = 108,00 \text{ USD}$  de frais de fonctionnement annuels pour l'élégance HEATSTRIP 2400W

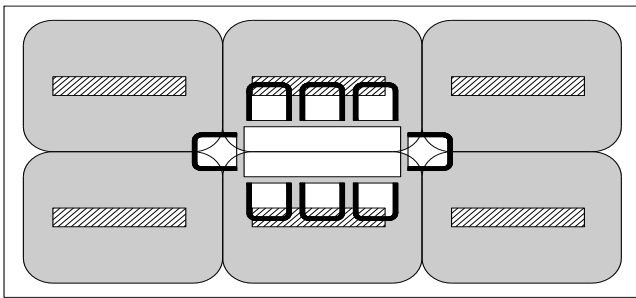
$180 \text{ heures} \times 0,80 \text{ USD} = 144,00 \text{ USD}$  de coûts de fonctionnement annuels pour 3200W HEATSTRIP Elegance



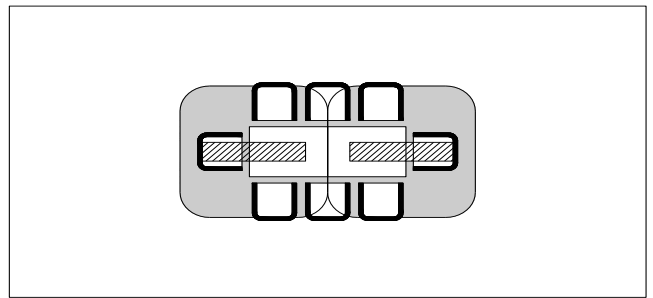
## Principe du chauffage localisé

Pour les applications en extérieur ou dans des pièces difficiles à chauffer, l'utilisateur dispose de deux options pour choisir la taille et le nombre de radiateurs nécessaires. La première option consiste à chauffer confortablement l'ensemble de la zone en se basant sur les dimensions de l'espace, qu'il soit entièrement occupé ou non. La deuxième option consiste à chauffer davantage les zones fréquemment utilisées, par exemple les tables, le barbecue, le salon, les lignes d'assemblage ou les postes de travail. La solution du chauffage localisé est souvent plus pratique et plus économe en énergie. Le chauffage localisé permet de réduire le coût d'investissement initial, mais aussi les dépenses de fonctionnement. Il permet de zoner l'espace, c'est-à-dire de chauffer uniquement les secteurs utilisés, par exemple les tables d'un restaurant ou d'une terrasse.

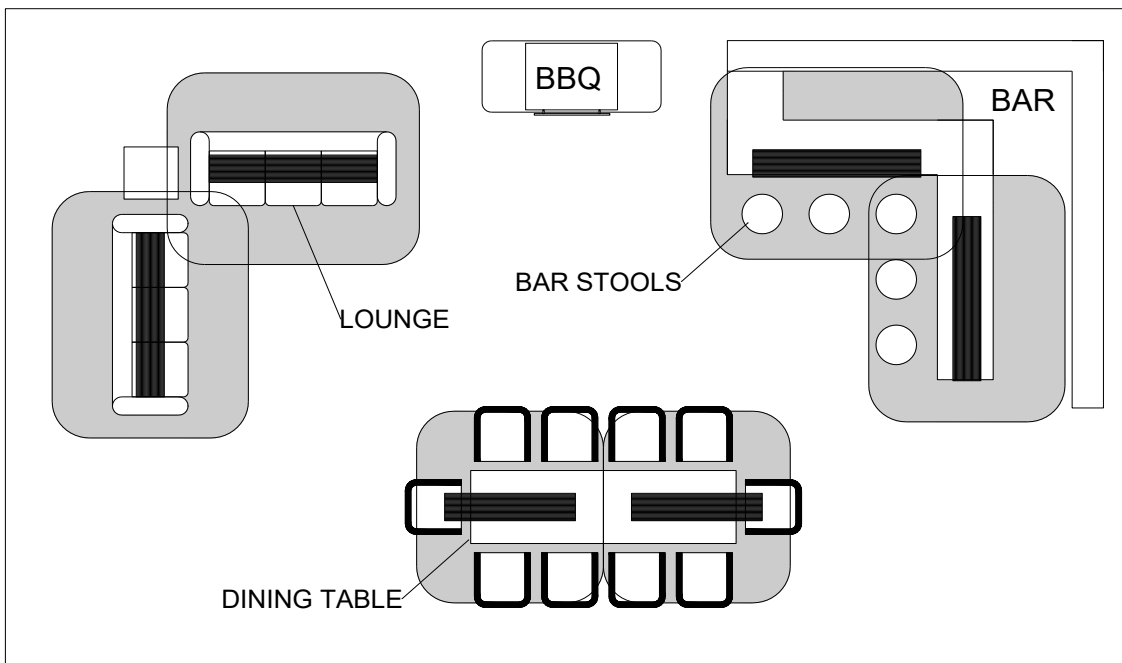
Le premier schéma compare le chauffage ponctuel d'une table et le chauffage d'une zone entière. Le schéma du bas montre la flexibilité de HEATSTRIP qui offre un environnement confortable même quand la disposition des lieux est inhabituelle.



Option 1: 6 x THE2400EUR



Option 2: 2 x THE2400EUR





## Rayon d'action

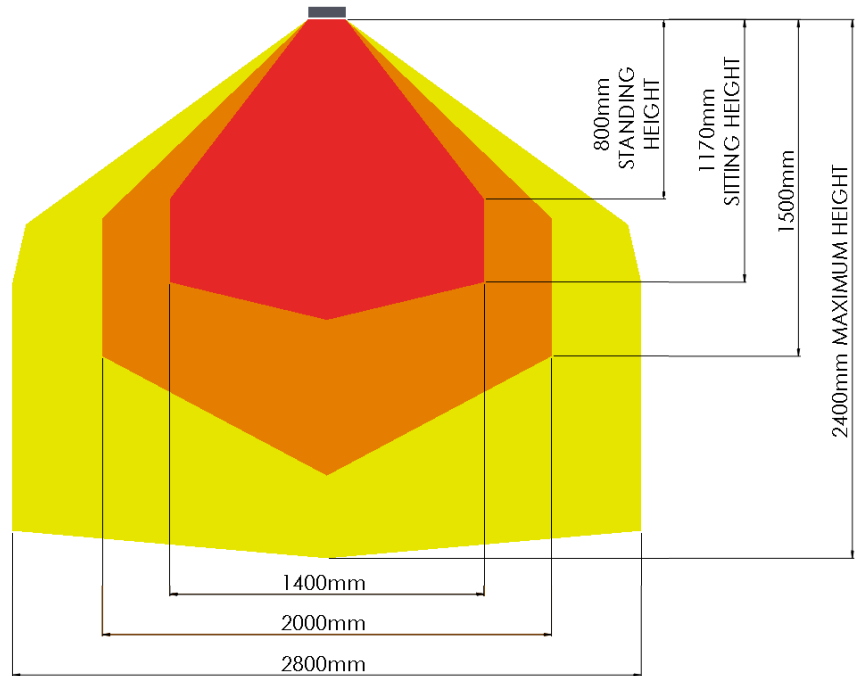
Le radiateur électrique HEATSTRIP produit une chaleur rayonnante, qui chauffe les objets plutôt que l'air. Il est donc impératif que les objets à chauffer (les personnes) se trouvent dans le rayon d'action du radiateur.

Le schéma montre le rayon d'action du HEATSTRIP Design. Il peut servir de guide pour un espace extérieur entièrement clos. Le schéma montre que la production de chaleur est maximale juste en dessous du radiateur et que la température diminue au fur et à mesure que l'on s'éloigne du radiateur.

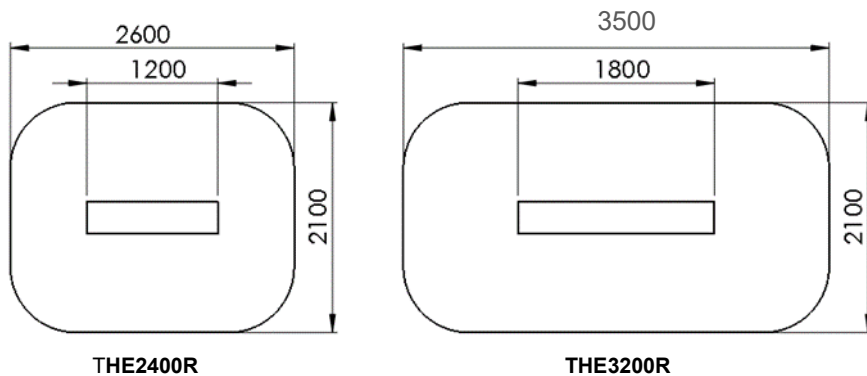
Il est donc particulièrement important de respecter les hauteurs de fixation recommandées et de positionner le radiateur

Le schéma ci-dessous montre la surface de chauffage approximative de chaque modèle, sur la base d'un environnement clos à l'intérieur et à l'extérieur, avec fixation au plafond directement au-dessus de la zone. Le rayon d'action du radiateur diminue en cas d'installation au mur ou en oblique, juste au-dessus de la zone à chauffer.

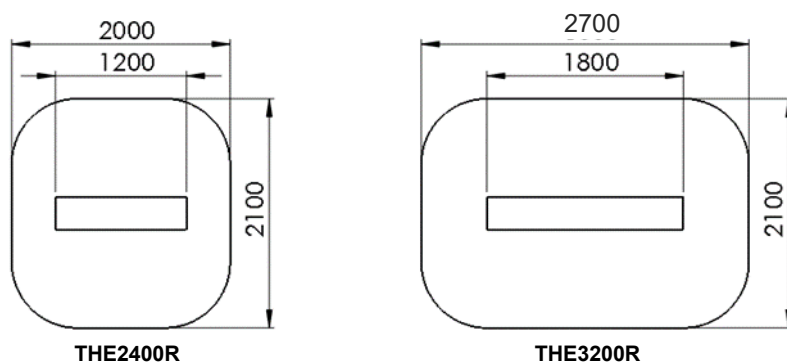
La température (de surface) est la même pour les deux modèles, quelle que soit la puissance. Par contre, plus la taille et la longueur de l'unité augmentent, plus le rayon d'action du radiateur est important.



## HEATED AREA INDOOR SPOT HEATING



## HEATED AREA OUTDOOR ENCLOSED HEATING



## Guide de sélection

Recommandations générales pour HEATSTRIP® Elegance:

- Hauteur de montage idéale: 2,3 m à 2,5 m. Le maximum est de 2,7 m dans un environnement extérieur entièrement protégé / fermé.
- Emplacement de montage idéal: monté au plafond, directement au-dessus de la zone à chauffer (par exemple au-dessus d'une table)
- Les puissances calorifiques minimales recommandées pour diverses installations sont: 400 W / m<sup>2</sup> pour le chauffage par points en intérieur; 500W / m<sup>2</sup> pour les espaces extérieurs protégés et 600W / m<sup>2</sup> pour les espaces extérieurs exposés. Pour garantir des performances satisfaisantes de HEATSTRIP® Elegance, Thermofilm recommande vivement d'utiliser des zones de couverture conservatrices pour spécifier le nombre de radiateurs nécessaires pour chaque installation.

Le tableau ci-dessous indique la couverture maximale de chaque modèle HEATSTRIP® Elegance selon 2 scénarios différents avec montage direct au plafond à une hauteur d'installation minimale. Par exemple, pour un espace extérieur protégé des vents dominants par des murs, des stores de café, etc., le modèle THE2400R couvrira une surface maximale de 4,8 m<sup>2</sup> et le modèle THE3200R, une surface maximale de 6,4 m<sup>2</sup>.

Pour les applications de montage mural incliné, la couverture est réduite jusqu'à 40%.

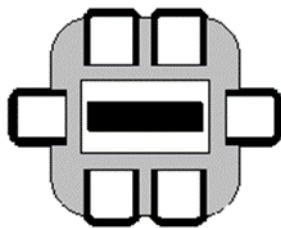
MODEL	PROTECTION INTÉRIEURE (m <sup>2</sup> )	EXTÉRIEUR CLÔTURÉ (m <sup>2</sup> )	EXTERIEUR EXTERIEUR (m <sup>2</sup> )
THE2400EUR	6	4.8	4
THE3200EUR	8	6.4	5.3



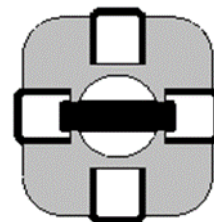


## Disposition des tables

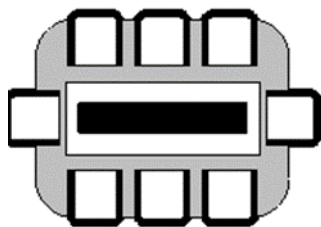
Pour la majorité des applications en extérieur, la méthode la plus efficace consiste à chauffer ponctuellement une table ou un espace équivalent. Les schémas ci-dessous montrent le modèle requis et la quantité de radiateurs nécessaires pour chauffer une installation résidentielle courante. Ces recommandations sont basées sur des radiateurs HEATSTRIP Elegance installés à 2,4 m de hauteur au-dessus d'un espace extérieur entièrement clos.



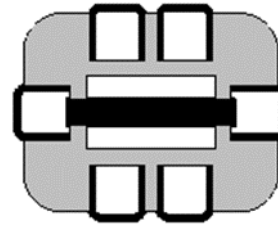
THE2400R



THE2400R



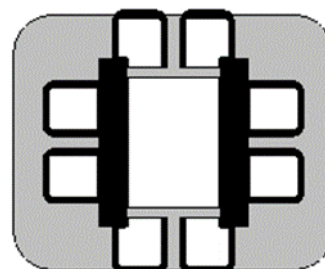
THE3200R



THE3200R



2x THE2400R



2x THE3200R

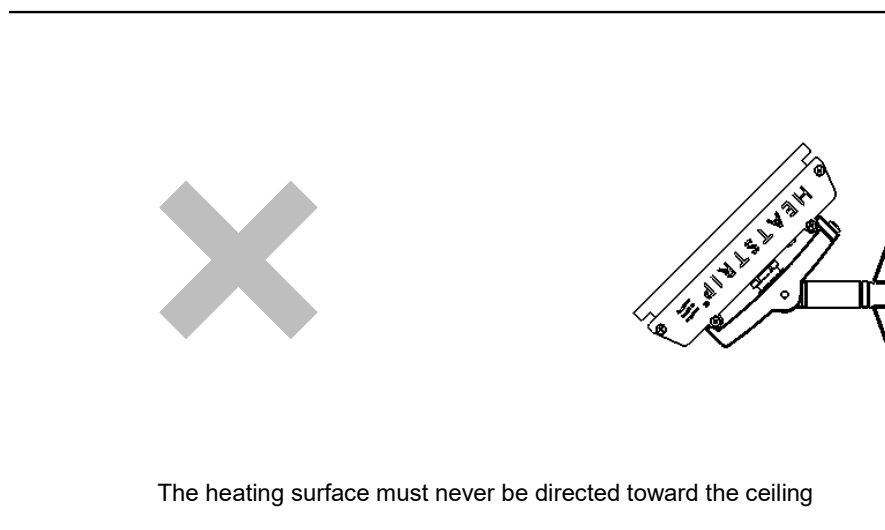
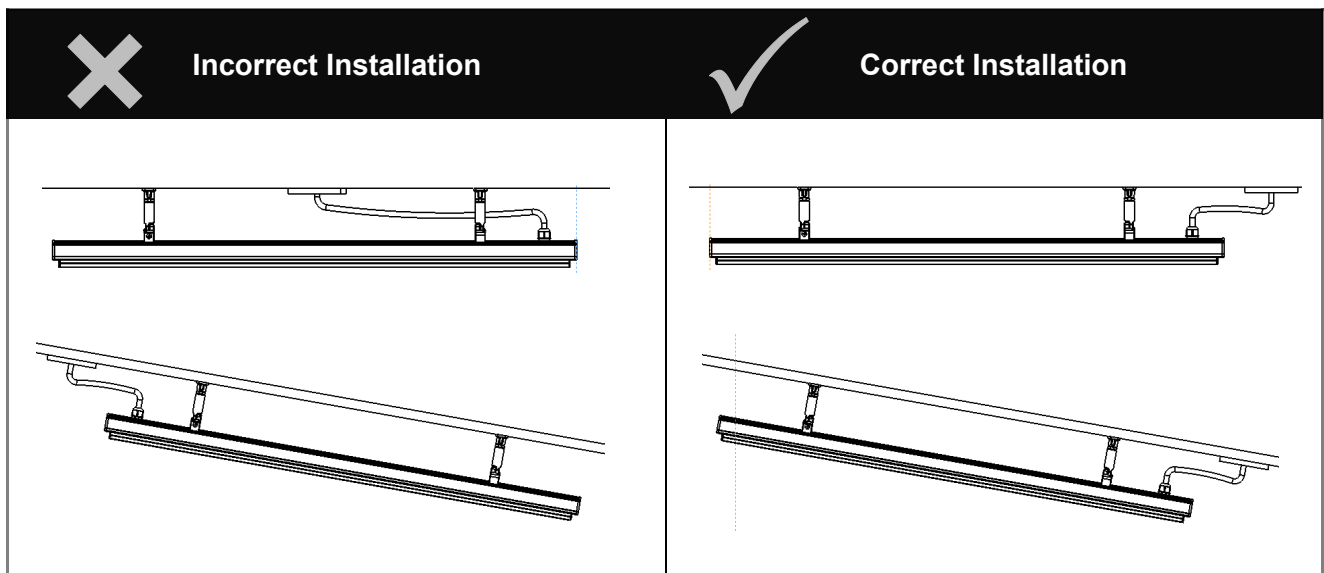


## Installation

L'emplacement idéal du HEATSTRIP Elegance est au plafond, juste au-dessus de la zone à chauffer. Si cette solution n'est pas possible, HEATSTRIP Elegance peut être fixé sur un mur et orienté vers le bas. Dans ce cas, vérifier que la hauteur de fixation se situe entre 2,4 m et 3 m et que la table se trouve à moins de 3 m du mur.

Pour les hauteurs d'installation supérieures à 3,5 m, nous recommandons l'utilisation des accessoires optionnels qui permettent d'abaisser le radiateur afin qu'il se trouve dans la fourchette recommandée (2,4 m – 3,5 m). L'efficacité du HEATSTRIP en sera améliorée. Se reporter à la section Accessoires de fixation pour plus d'informations. Le raccordement électrique/la prise de courant ne doit pas être situé derrière le radiateur, mais à l'extérieur de l'empreinte physique de l'unité afin de minimiser le risque de concentration de chaleur à l'arrière de l'unité.

Si le radiateur doit être fixé sur un plan incliné (p. ex., plafond voûté), s'assurer que le raccordement électrique est situé au point le plus bas du radiateur.

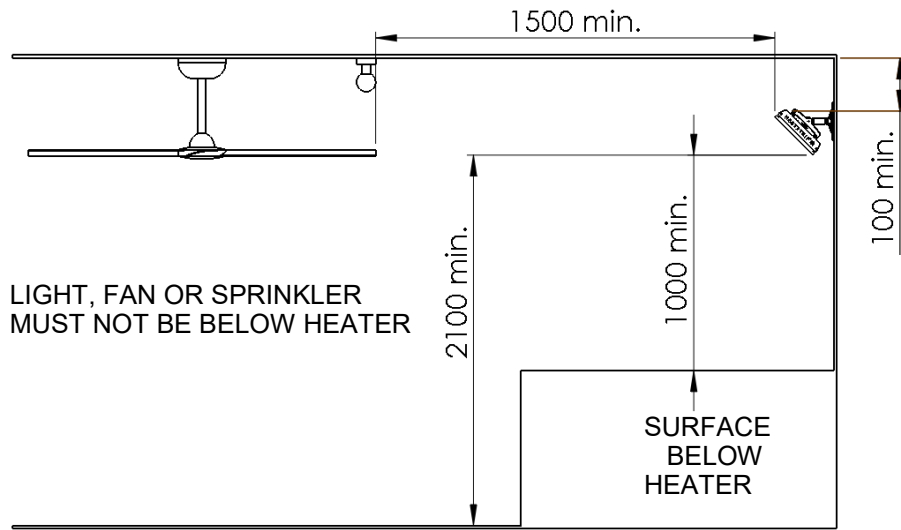




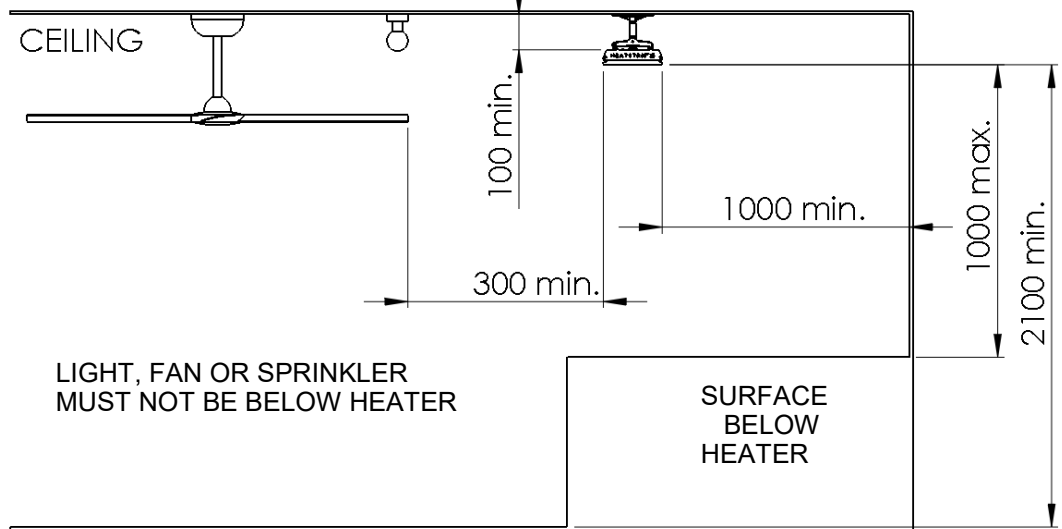
## Lieu d'installation – les diagrammes ci-dessous confirment les hauteurs libres recommandées.

**WARNING:** This heater is not equipped with a device to control the room temperature. Do not use this heater in small rooms when they are occupied by persons not capable of leaving the room on their own, unless constant supervision is provided.

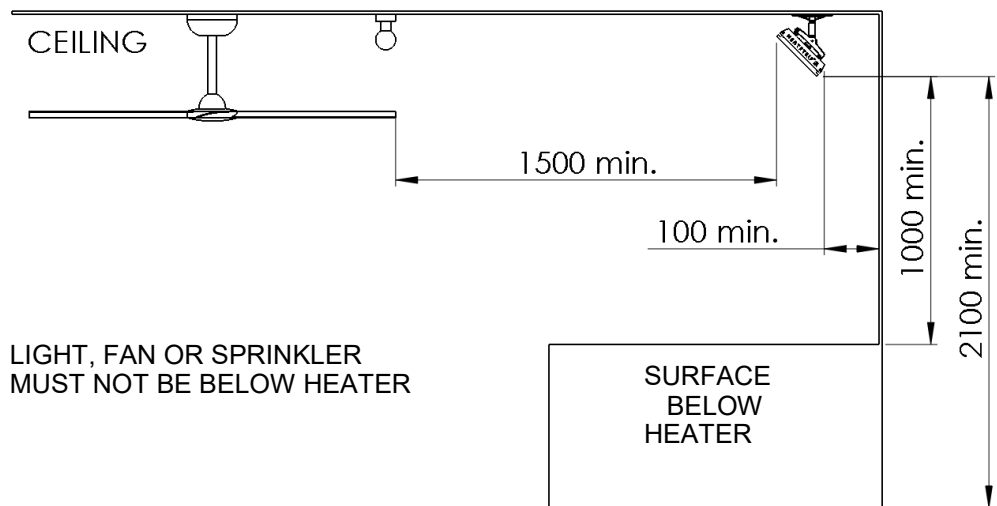
### Angled Wall Installation



### Ceiling Installation



### Angled Ceiling Installation

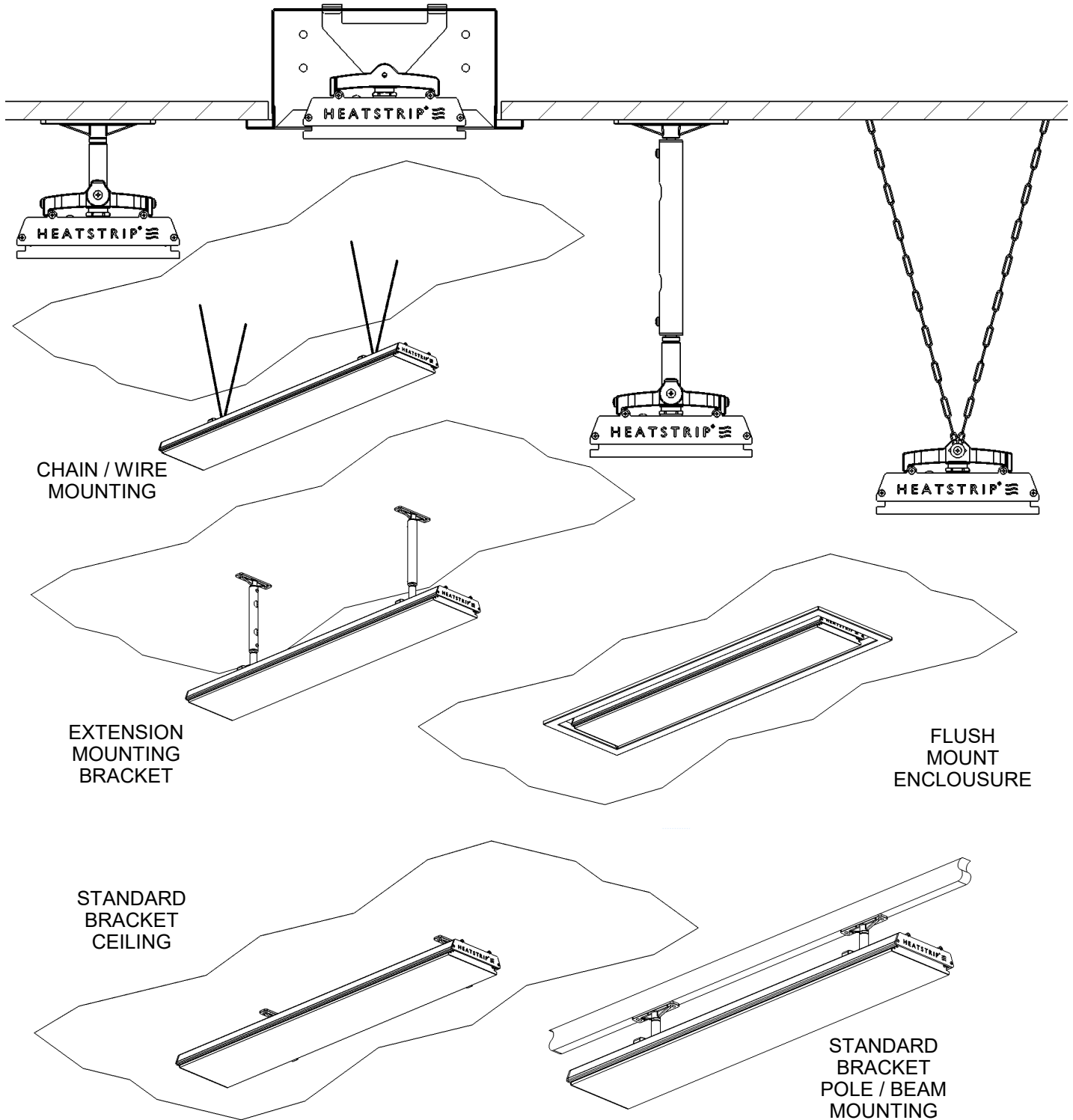


## Options de fixation

L'installation du HEATSTRIP Elegance avec les supports de fixation standard fournis est simple et facile. Pour les emplacements plus compliqués, il existe toute une gamme d'options de fixation – se reporter au diagramme ci-dessous.

Le HEATSTRIP Elegance peut être fixé directement au plafond ou au mur (oblique), encastré dans le plafond, suspendu à des chaînes ou à des tiges, fixé à des poutres ou à des poteaux, monté en série (bout à bout) ou jumelé avec une autre unité identique.

Se reporter aux pages suivantes pour plus d'informations sur les différentes options de fixation.

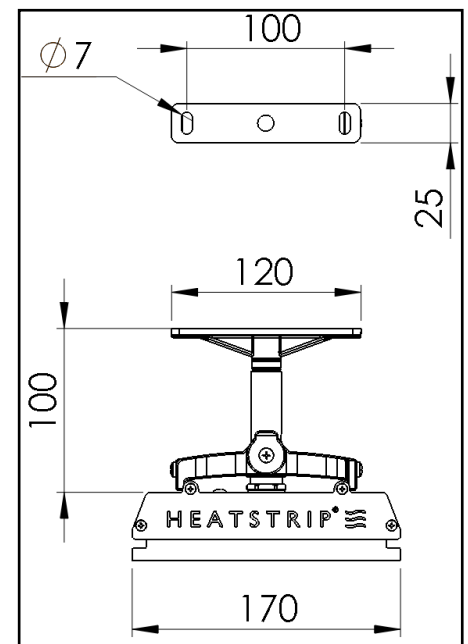
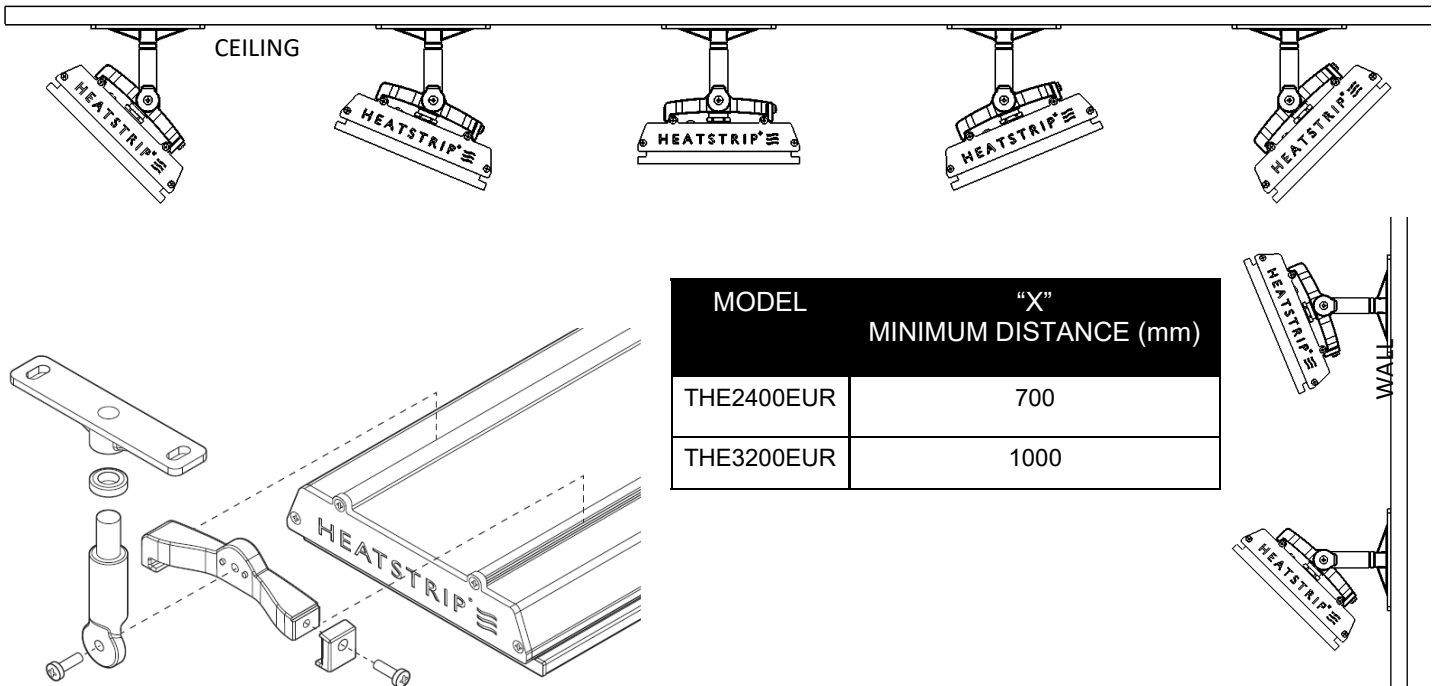




## Options de fixation standard

L'installation du HEATSTRIP Design avec les supports de fixation standard fournis est simple et facile. Pour les emplacements plus compliqués, il existe toute une gamme d'options de fixation – se reporter au diagramme ci-dessous.

Le HEATSTRIP Design peut être fixé directement au plafond ou au mur, suspendu à des chaînes ou à des tiges, fixé à des poutres ou à des poteaux ou jumelé avec une autre unité identique. Se reporter aux pages suivantes pour plus d'informations sur les différentes options de fixation.



PART No	PACKAGED DIMENSIONS (mm)	WEIGHT (kg)	MATERIALS
ZBRAK-113W	125 x 150 x 40	0.2	ALLOY

## Flush mount enclosure

Le boîtier à encastrer est un moyen idéal pour installer le HEATSTRIP dans un plafond. Ils sont disponibles pour tous les modèles HEATSTRIP Elegance et sont livrés en une seule pièce pour le montage de chauffe-eau individuels. Le montage encastré peut être utilisé avec du plâtre ou des matériaux de plafond doublés de bois.

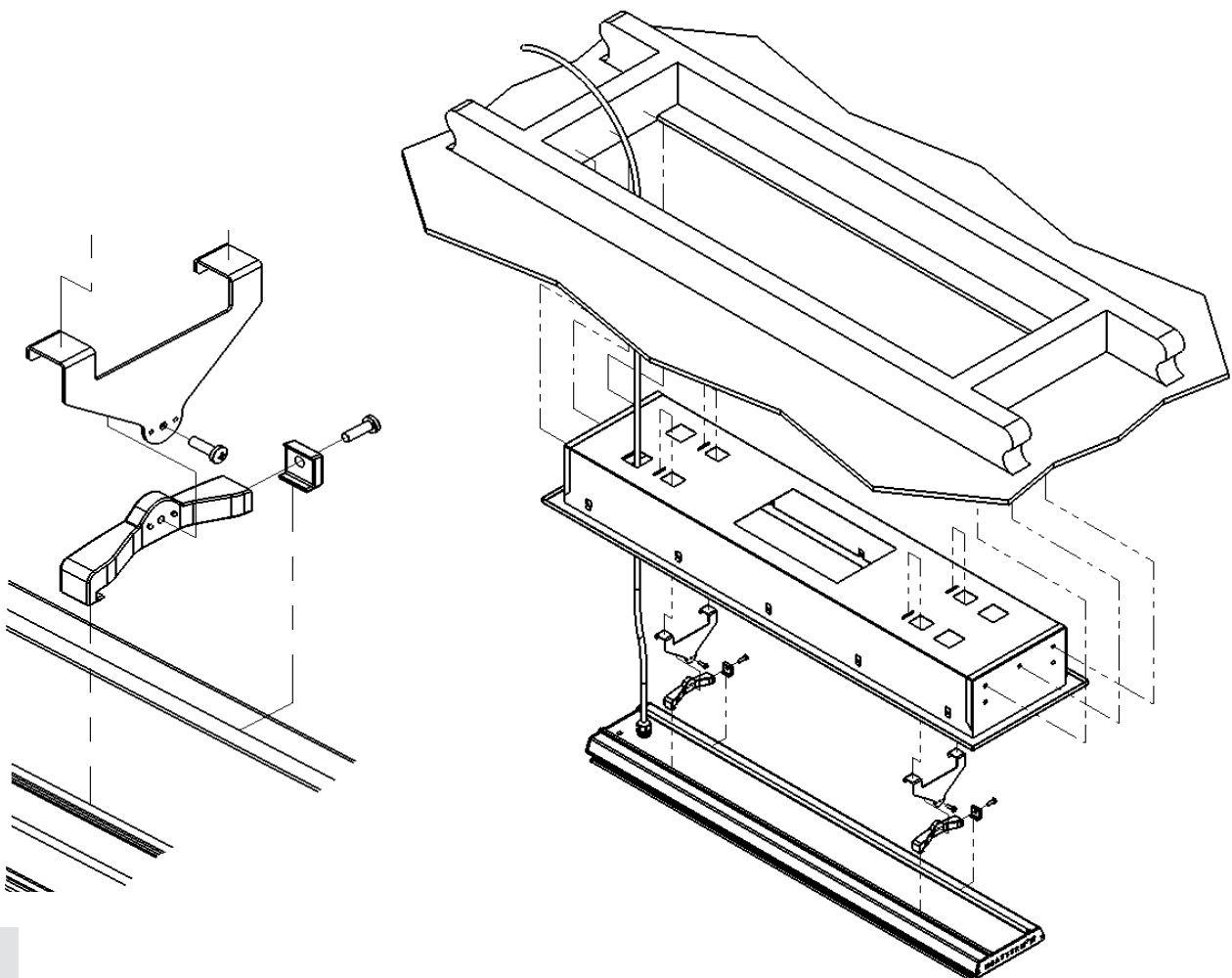
Une hauteur de montage idéale est de 2.3m-2.5m, avec une hauteur maximale de plafond de 2.7m dans un environnement extérieur clos. Les hauteurs de montage maximales doivent être strictement respectées, sinon la performance des unités peut être réduite.

Une distance minimale de 50 mm derrière l'enceinte doit être prévue.

L'enceinte est fabriquée en acier enduit de poudre.

Pour plus d'informations sur l'installation, reportez-vous au manuel d'installation du boîtier encastré.

SUITABLE FOR MODEL	PART No	HOLE CUTOUT DIMENSIONS (mm)	OVERALL DIMENSIONS (mm)	WEIGHT (kg)
THE2400EUR	THERAC-056	240 x 1390	290 W x 1440 L x 201 D	8
THE3200EUR	THERAC-057	240 x 1790	290 W x 1840 L x 201 D	9



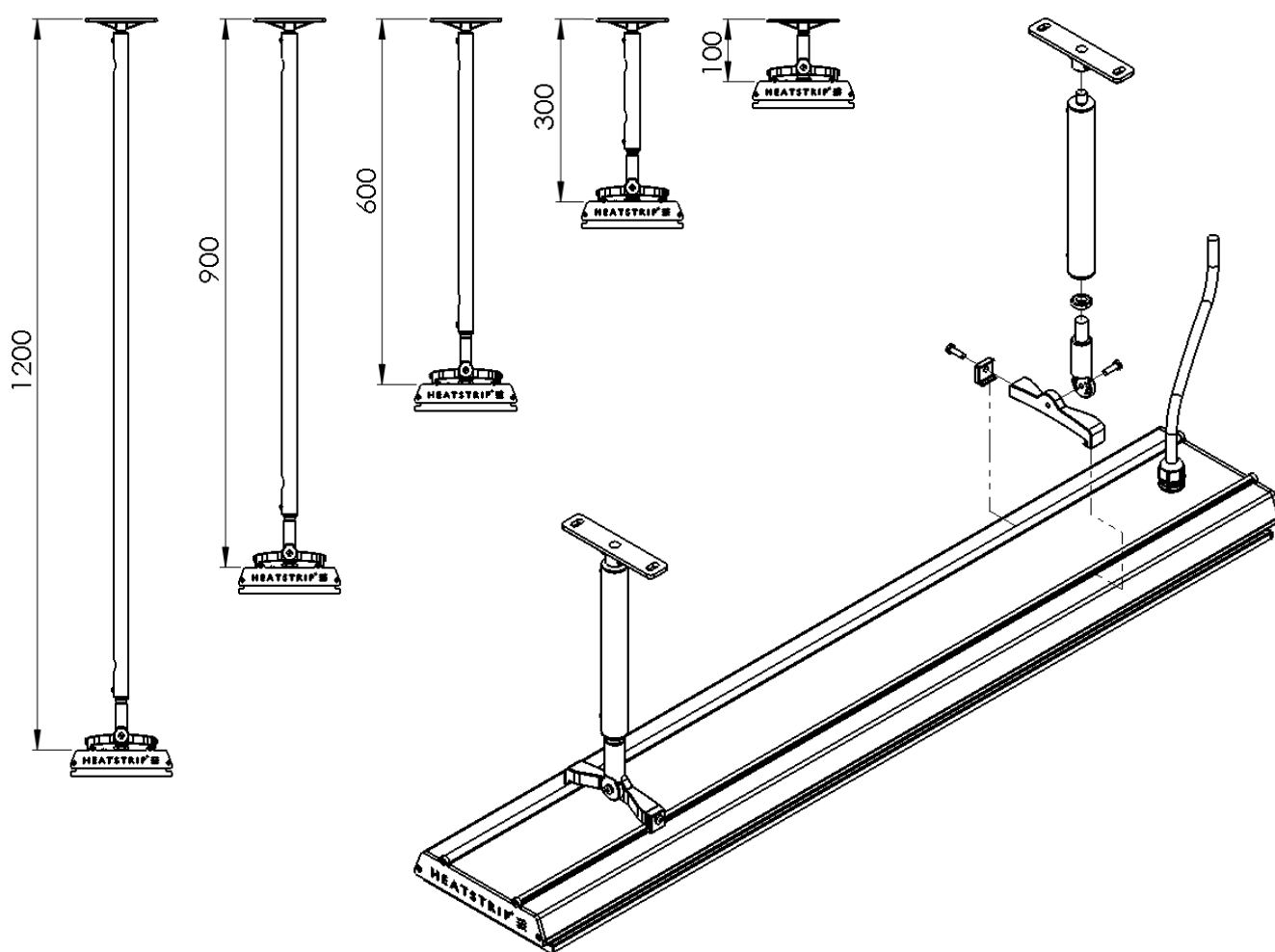


## Extension du support de fixation

L'extension permet d'abaisser les unités HEATSTRIP Elegance grâce à des raccords rigides lorsque le plafond est trop haut. Les supports peuvent être utilisés avec des tubes de 25 mm x 25 mm x 1 mm (SHS) et sont fournis sous forme de kit complet comprenant les supports, les tiges prédécoupées et les raccords nécessaires. Les options de longueur standard disponibles avec les kits sont de 300 mm, 600 mm, 900 mm et 1 200 mm.

Les kits comprennent tous les supports, tiges et vis nécessaires au raccordement des radiateurs, à l'exception des vis de fixation au plafond.

\*screws to ceiling are not included



PART No	PACKAGED DIMENSIONS (mm)	WEIGHT (kg)	MATERIALS	NOTES
THEAC-043	300 x 150 x 50	0.21	Aluminium	Kit includes 2x300mm extension pole
THEAC-044	600 x 150 x 50	0.38	Aluminium	Kit includes 2x600mm extension pole
THEAC-045	900 x 150 x 50	0.55	Aluminium	Kit includes 2x900mm extension pole
THEAC-046	1200 x 150 x 50	0.71	Aluminium	Kit includes 2x1200mm extension pole



## Hangende montagebeugel

De hangende montagebeugel biedt een goedkope, eenvoudige en effectieve manier om de HEATSTRIP Design aan hoge plafonds op te hangen. Als het plafond hoger is dan 3,0 m in een omsloten buitenruimte, of 2,7m in een open ruimte, raden wij aan de heater te verlagen tot een ideale montagehoogte van 2,3m tot 2,7m.

De beugel is ontworpen voor gebruik met kettingen of kabels.

Zoals de onderstaande diagrammen laten zien, zijn er meerdere montage mogelijkheden met kettingen/kabels.

Opmerking: de kettingen/kabels worden niet meegeleverd met de heaters.

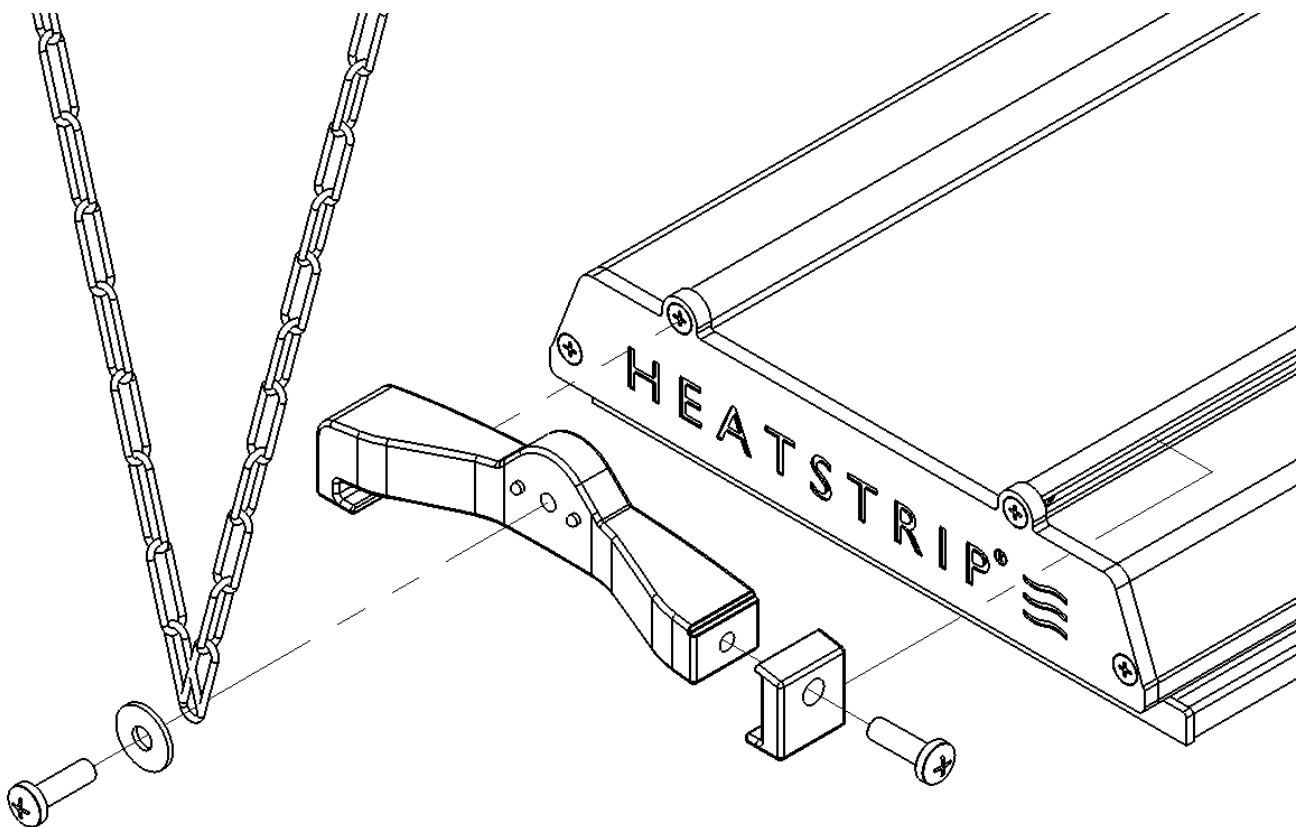


Diagram above shows one potential means of installation using chain or wire



## Commande de fonctionnement THE-R avec télécommande

Le THE-R est un appareil de chauffage conçu et fabriqué sur mesure. Il a été conçu pour être facile à utiliser et offrir un coût de fonctionnement réduit de votre appareil de chauffage. Il fournit à la fois un contrôle de la température (permettant à l'utilisateur d'augmenter ou de diminuer la puissance du chauffage en fonction de la température ambiante et des conditions) et une minuterie pour le fonctionnement de l'arrêt automatique

Lorsque le chauffage est branché, appuyez sur la touche «power» de la télécommande, le témoin d'alimentation de l'appareil est allumé, puis appuyez sur le bouton de fonction. Il offre à la fois un contrôle de la température permettant à l'utilisateur d'activer la sortie de chaleur haute ou basse et une minuterie pour le fonctionnement automatique du chauffage, soit 1, 2 ou 4 heures.

### Fonctions THE-R

Le chauffage permet une combinaison de la minuterie multiple (1/2/4 heure) et des sorties de chaleur (haute / basse). Le fonctionnement par défaut est un fonctionnement continu à pleine température.

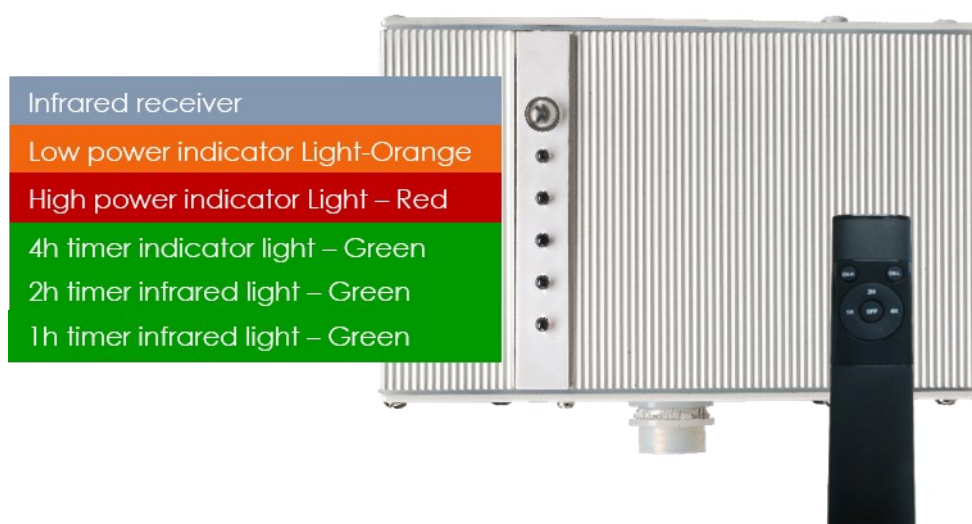
La fonction de minuterie a quatre réglages: 1 heure, 2 heures, 4 heures ou constamment allumé. Cette fonction est idéale pour les applications telles que les espaces en plein air, les restaurants, la production sur une chaîne de montage, etc., lorsque la chaleur continue n'est pas requise. La minuterie réduit également le risque que des appareils de chauffage soient laissés allumés par inadvertance.

En fonction de la température ambiante, il peut être nécessaire de régler la chaleur. Le contrôleur a 2 réglages: ils sont haut et bas.

### Appariement à distance

Tous les appareils fonctionnent avec la même fréquence de télécommande, vous pouvez donc utiliser plusieurs appareils de chauffage avec une seule télécommande.

La télécommande fonctionnera à une distance de plus de 8 m si elle est utilisée en ligne droite. Cette distance diminue lorsqu'elle est utilisée à un angle.



Controller functionality, please refer to page 17.

## Commande à distance

### Émetteur de signal

- Pour utiliser la télécommande, dirigez l'émetteur vers le radiateur. Une transmission en visibilité directe est nécessaire pour que l'unité fonctionne.
- Le contrôleur n'a pas d'indice de protection. Le contrôleur doit être tenu à l'écart des applications humides.
- La télécommande fonctionnera à une distance de plus de 8 m si elle est utilisée en ligne droite. Cette distance diminue lorsqu'elle est utilisée à un angle.

### Compte à rebours automatisé

- Appuyez sur 1H pour commencer l'arrêt automatique d'une heure.
- Appuyez sur 2H pour commencer l'arrêt automatique de 2 heures.
- Appuyez sur 4H pour commencer l'arrêt automatique de 4 heures.

### Receveur

- Le récepteur est situé sur le radiateur.



### Bouton de contrôle de la température

- Appuyez sur ON-H, la température sera réglée sur HIGH.
- Appuyez sur ON-L. La température sera réglée sur BAS.

### Bouton OFF

- Appuyez une fois sur ce bouton pour désactiver le fonctionnement.

### Batterie

- AAA Batterie requise pour le fonctionnement.



### FONCTIONS À DISTANCE

ON-H	Température élevée
ON-L	Température basse
OFF	Unité éteinte
1H	Minuterie automatique 1H
2H	Minuterie automatique 2H
4H	Minuterie automatique 4h

Infrared receiver  
 Low power indicator Light-Orange  
 High power indicator Light - Red  
 4h timer indicator light - Green  
 2h timer infrared light - Green  
 1h timer infrared light - Green



## Sécurité

HEATSTRIP Elegance possède un indice IP de 55. Cela signifie qu'il est protégé contre les projections d'eau de toute direction. L'unité HEATSTRIP peut donc être nettoyée au jet d'eau en toute sécurité. HEATSTRIP a subi de nombreux tests, que ce soit en laboratoire, à l'usine de production de Thermofilm à Melbourne et sur le terrain en Australie, Europe et ailleurs. Grâce à ces nombreux tests, l'acheteur est certain de bénéficier d'un produit de haute qualité.

Des tests de laboratoire indépendants ont confirmé que toutes les normes australiennes et internationales exigées, sont respectées CE, AS/ANZ, UL/CSE.

Le radiateur existe en version prise (1800 W) et câblée (2400 W). Dans les deux cas, le câblage fixe doit être installé par un électricien agréé, conformément aux règles applicables.

HEATSTRIP est un équipement de catégorie 1 qui doit être mis à la terre.

Le radiateur devient rapidement TRÈS CHAUD – ne jamais toucher une quelconque partie de l'appareil lorsqu'il fonctionne et dans un délai de 30 minutes après sa mise hors tension.

Cet appareil n'est pas destiné à être utilisé par des personnes (y compris des enfants) aux capacités physiques, sensorielles ou intellectuelles limitées ou ne disposant pas d'une expérience ou de connaissances suffisantes, sauf si elles sont placées sous surveillance ou si elles ont été formées à l'utilisation de l'appareil par une personne responsable de leur sécurité. Les enfants doivent être maintenus sous surveillance et ne doivent pas jouer avec l'appareil.

Ne laisser aucun câble, pièce de mobilier, matériau inflammable ou autre entrer en contact avec une quelconque des surfaces du radiateur.

Si le radiateur est installé dans une salle de bains, les interrupteurs ou les commandes de l'appareil doivent être installés de manière à être inaccessibles depuis la baignoire ou la douche.

Le radiateur doit être installé conformément aux instructions, en tenant tout particulièrement compte des distances minimum à respecter.

Le radiateur doit être installé sur un support ou une fixation rigide.

Le radiateur ne doit pas être installé juste en dessous ou devant une prise électrique.

Si le radiateur tombe en panne ou que le câble d'alimentation est endommagé, l'appareil doit être retourné au point d'achat en vue de son renvoi à Cook & Heat B.V. pour réparation.

## Entretien

Le HEATSTRIP Elegance est fabriqué à base de matériaux durables. Un entretien régulier permettra de prolonger sa durée de vie.

Il est recommandé de nettoyer le radiateur à grande eau, d'essuyer délicatement les surfaces avec un chiffon imbibé de détergent doux afin d'éliminer les saletés accumulées, puis de rincer le détergent. Les produits chimiques présents dans l'atmosphère (fumée de cigarette, pollution, etc.) risquent de ternir la surface du radiateur. Un nettoyage et un entretien plus fréquents peuvent alors s'avérer nécessaires. Nettoyer l'unité au moins tous les trois mois pour limiter l'accumulation de saletés et garder un aspect propre à l'appareil. Si le radiateur est installé dans un environnement corrosif (sel, etc.), il est recommandé de pulvériser chaque semaine le radiateur à l'eau douce pour le nettoyer. Après toute opération de nettoyage, faire fonctionner le radiateur pendant 20 minutes pour éviter les traces d'eau. Avant toute activité de nettoyage ou d'inspection, éteindre le radiateur et le laisser refroidir complètement. Ne pas utiliser de matériaux ou de produits abrasifs (solvants, produits à base d'agrumes ou autres produits corrosifs) pour nettoyer le radiateur.

Toujours manipuler le radiateur avec des mains ou des gants propres car la graisse et la saleté peuvent tacher la surface de l'appareil. Ne pas utiliser de nettoyeur haute pression pour nettoyer le radiateur.

## Garantie

Cook & Heat B.V. garantit à l'acheteur que les produits HEATSTRIP Elegance seront exempts de défauts de pièces et main-d'œuvre pendant une durée de 24 mois à compter de la date d'achat, conformément aux conditions de garantie ci-dessous.

La validité de cette garantie est soumise aux conditions suivantes :

- Le produit HEATSTRIP doit être installé conformément aux instructions d'installation et aux normes et codes électriques concernés.
- Le produit HEATSTRIP doit être entretenu et nettoyé conformément aux instructions figurant dans le manuel d'installation.
- Il n'existe aucune garantie expresse ou implicite relative aux spécifications de capacité. Le choix de l'unité ou des unités dépend entièrement de la conception du système telle qu'elle est définie par l'acheteur.
- Le client n'a pas réparé, ouvert ou modifié le produit d'une quelconque manière non autorisée.
- Cette garantie exclut tout dommage au produit ou aux composants résultant de circonstances indépendantes de la volonté de Cook & Heat B.V. , y compris, sans toutefois y être limité : utilisation du produit non conforme à l'usage prévu, modification apportée au produit, installation incorrecte, alimentation électrique incorrecte, dommages pendant la livraison, usage impropre, utilisation abusive, vandalisme, entretien insuffisant ou accident.
- Les obligations de Cook & Heat B.V. au titre de cette garantie se limitent à la réparation ou au remplacement des composants du produit dont Cook & Heat B.V. estime qu'ils sont défectueux.
- Les frais de port associés au retour du produit à Cook & Heat B.V. (ou dans autre lieu autorisé par écrit par Cook & Heat B.V.) sont à la charge du client.
- Tous les produits sont inspectés et testés avant leur expédition. Lorsque la livraison n'est pas assurée par Cook & Heat B.V., les produits passent sous la responsabilité de l'acheteur dès leur départ de l'usine de Cook & Heat B.V.
- Une certaine décoloration de la surface de l'appareil peut se produire au bout d'un certain temps ; cette décoloration n'est pas incluse dans la garantie.
- Les radiateurs sont susceptibles de se tordre ou de se plier ; ces détériorations ne sont pas incluses dans la garantie.
- Aucun produit ou composant ne sera fourni tant que le produit ou les composants défectueux n'auront pas été examinés par Cook & Heat B.V. ou par un représentant agréé de Cook & Heat B.V.
- Cook & Heat B.V. ne prend pas en charge les coûts ou les frais de main-d'œuvre associés au remplacement de pièces, à la réparation, au démontage, à l'installation, à l'entretien, au transport ou à la manipulation de pièces destinées à compléter les produits, et n'assume aucune responsabilité quant aux pièces réparées ou remplacées sans autorisation écrite. Cook & Heat B.V. ne peut être tenu pour responsable d'une quelconque défaillance ou d'un quelconque retard dans l'exécution de ses obligations au titre de la garantie si cette défaillance ou ce retard résulte de circonstances indépendantes de sa volonté, y compris, sans toutefois y être limité, restrictions judiciaires gouvernementales, grèves, incendies, inondations, conditions météorologiques anormales ou retard de livraison de composants.

Si les produits arrivent endommagés, avertir immédiatement la société de transport de l'état des produits et lui demander de mentionner le problème sur les documents de fret. Si les dommages sont découverts après le déballage du produit, demander immédiatement à la société de transport de venir inspecter les produits et insister pour que les dommages figurent sur les documents de fret.

Le client déclare utiliser le produit dans le respect :

- des instructions qui pourront lui être fournies par Cook & Heat B.V.
- de toutes les réglementations gouvernementales et locales, y compris, sans toutefois y être limité, toutes les lois et réglementations électriques et environnementales régissant l'installation, le stockage, l'utilisation, la manipulation et l'entretien des biens.
- de toutes les précautions et mesures de sécurité nécessaires et appropriées relatives à l'installation, au stockage, à l'utilisation, à la manipulation et à l'entretien des biens.

### Distribué par:

**Cook & Heat B.V.**  
[www.heatstrip.eu](http://www.heatstrip.eu)

### Produit par:

**Thermofilm Australia Pty Ltd**  
17 Johnston Court  
Dandenong South,  
Victoria, 3175 Australia



# Product Manual



## **HEATSTRIP<sup>®</sup> ELEGANCE with Remote (THE-R Range)**

*Durch sein Design ist dieser Heizstrahler extra hot!*



## CONTENTS

Rev A Apr19

Produktübersicht _____	63
Spezifikationen _____	64
Punkt heizung prinzip _____	65-66
Strahlender Fußabdruck _____	67
Auswahlhilfe _____	68
Tabellenlayout _____	69
Installationsvoraussetzungen _____	70
Installationsort _____	71
Montagemöglichkeiten _____	72
Standardhalterungen _____	73
Unterputzgehäuse _____	74
FME-Abmessungen _____	74
Abmessungen des FME-Installationsabstands _____	74
FME-Installationsanweisungen _____	74
Verlängerungshalterung _____	75
Halterung für die Aufhängung _____	76
Wandcontroller mit Fernbedienung _____	77-78
Sicherheit, Wartung _____	79
Garantie _____	80
Dutch _____	21
French _____	41
German _____	61



## Effiziente, kostengünstige elektrische Heizung

Das innovative Design des HEATSTRIP sorgt für eine angenehme und gleichmäßige Wärmeverteilung von der Oberfläche aus, und das bei minimalen Betriebskosten.

### Flexibilität beim Design

Es sind drei Modelle des HEATSTRIP Elegance erhältlich, um den Wärmeanforderungen jedes Außen- oder offenen Innenbereichs optimal zu entsprechen. Bügel für eine direkte Decken- oder Wand-/Deckenbefestigung sind standardmäßig im Lieferumfang enthalten. Das als Option erhältliche HEATSTRIP-Zubehör umfasst Bügel für die Balkenmontage oder feste Bügel für die Schirmmontage, Verlängerungsbügel für die Anbringung, Winkel für die Kettenaufhängung, Duo-Befestigungsbügel und Einbaugehäuse.

### Minimaler Wartungsaufwand

Der HEATSTRIP umfasst keine internen beweglichen Teile, sodass ein geräuscharmer und nahezu wartungsfreier Betrieb gewährleistet ist.

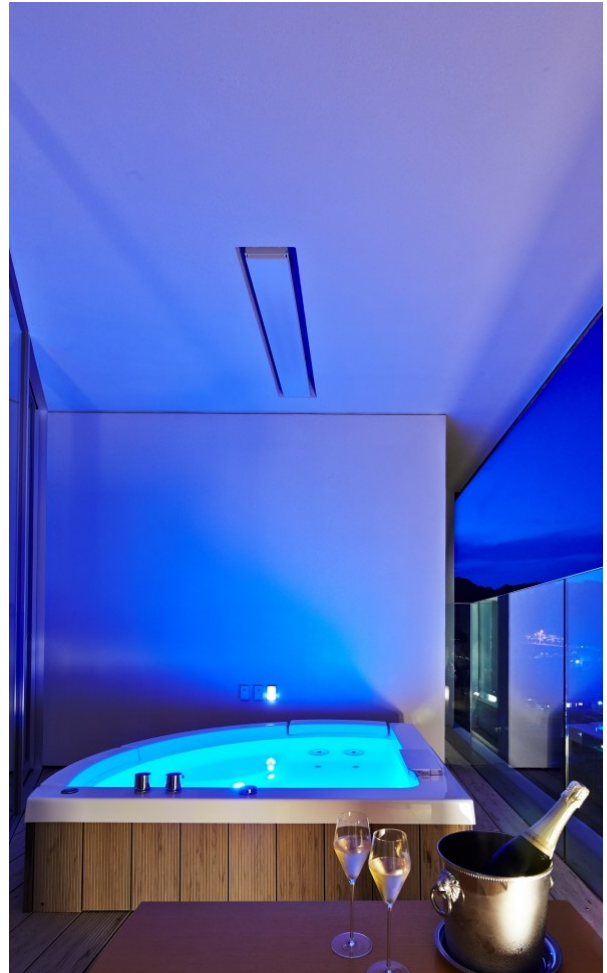
### Australisches Qualitätsprodukt

Der in Australien konzipierte, gefertigte und montierte.

Der attraktive HEATSTRIP verfügt standardmäßig über eine schwarze Vorderseite und eine anodisierte Gehäuserückseite aus Metalllegierung.

### Benutzerfreundlich

Das Standardmodell des HEATSTRIP wird anhand einer einfachen Ein-/Aus-Schaltung bedient; entweder durch den direkten Anschluss an eine Steckdose oder über einen Ein-/ Aus-Schalter, der an der Wand angebracht wird. Es dauert ca. 5 Minuten, bis das Gerät die Maximaltemperatur erreicht hat, und ungefähr 30 Minuten, bis es abgekühlt ist; dies hängt von der Umgebungstemperatur ab. Bitte nicht vergessen, das Gerät abzuschalten!





## Technische Angaben

MODELL	STROMLEISTUNG (WATT)	STROMSTÄRKE (AMP)	ABMESSUNGEN (MM)	GEWICHT (KG)	LEITUNGSLÄNGE (MM)	STECKER
THE2400EUR	2400	10	1306 x 170 x 42.7	7	2000	YES
THE3200EUR	3200	13	1710 x 170 x 42.7	9	2000	NO

### MODEL

#### HEIZGERÄT TYP

Leistungsstarker elektrischer Heizstrahler mit großflächiger profilierter Metalllegierung.

#### AUSGANGSLEISTUNG

Siehe obenstehende Übersicht zu den Modellen

#### STROM

230-240 Volt Nennleistung bei 50—60 Hertz, einphasig

#### ANSCHLUSS

3-adriges Kabel 2,5mm<sup>2</sup>

#### ZULASSUNGEN

AUSTRALIEN/CE

#### BEFESTIGUNGSHÖHE

MINDESTENS 2.1 m  
EMPFOHLEN 2.3 m to 2.5 m  
HÖCHSTENS 2.7 m

#### BEFESTIGUNG

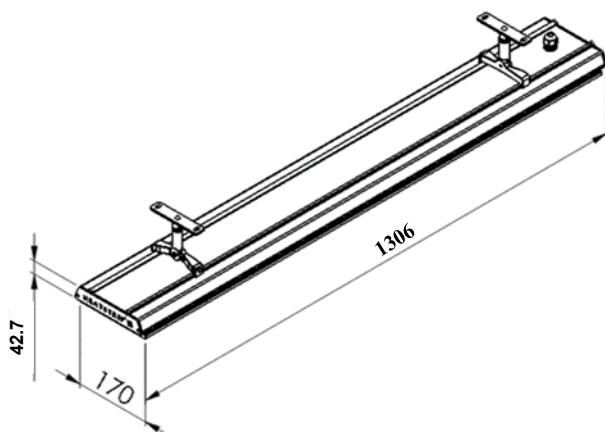
Geeignet für die Montage an Decken, Wänden, Balken, Schirmen und für Unterputzmontage. Ebenfalls geeignet für eine erweiterte Wandbefestigung mit festen Befestigungsstangen und Kettenhalterungen.

#### SCHUTZKLASSE

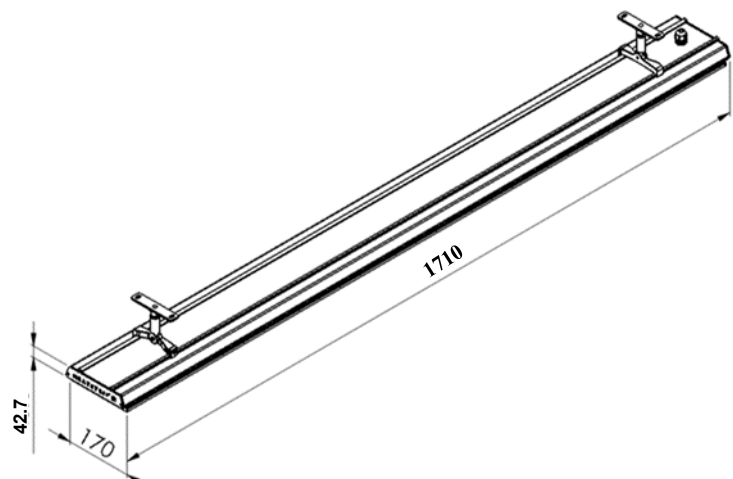
IP55 Schutz vor Wassereindringung an allen Seiten

#### HERSTELLUNGSLAND

Australien



THE2400R



THE3200R



## Vergleich der Betriebskosten

In vielen Fällen werden mit Gasflaschen betriebene Terrassenheizgeräte als Heizquelle für den Außenbereich verwendet. Die nachstehende Tabelle zeigt den Vergleich der Betriebskosten zwischen HEATSTRIP® und einer Gas-Außenheizung für Flaschen. Mit HEATSTRIP® sind die Stundenbetriebskosten nicht nur erheblich niedriger, Sie müssen sich auch keine Sorgen darüber machen, dass das Gas ausgeht, kein Nachfüllen und keine unansehnliche Gasflasche, um Platz zu sparen. und HEATSTRIP® verbessert tatsächlich den Wert Ihrer Immobilie.

RUNNING COST	OUTDOOR GAS HEATER	HEATSTRIP ELEGANCE ELECTRIC RADIANT HEATER	
		THE2400EUR	THE3200EUR
PER HOUR	\$2.78/hr	\$0.60/hr	\$0.80/hr
PER YEAR	\$500.40	\$108.00	\$162.00

### Notes:

- Für die Berechnung der Stundenbetriebskosten für eine Outdoor-Gasheizung werden Durchschnittspreise von \$ 25,00 für eine 9-kg-Gasflasche und eine durchschnittliche Laufzeit von 9 Stunden zugrunde gelegt. 25,00 USD / 9 Stunden = 2,78 USD pro Stunde
- Stromrate von 25,0 Cent / kWh  
Alle Berechnungen schließen GST aus.  
2,4 kW x 0,25 Cent = 0,60 US-Dollar oder 60 Cent pro Stunde  
3,2 kW x 0,25 Cent = 0,80 US-Dollar oder 90 Cent pro Stunde



Die Berechnung der jährlichen Betriebskosten basiert auf einer Nutzungsdauer von 180 Stunden

180 Stunden x 2,78 USD = 500,40 USD jährliche Betriebskosten für Gasheizgeräte im Freien

180 Stunden x 0,60 \$ = 108,00 USD jährliche Betriebskosten für 2400W HEATSTRIP Elegance

180 Stunden x 0,80 US-Dollar = 144,00 Euro jährliche Betriebskosten für 3200 Watt HEATSTRIP Elegance

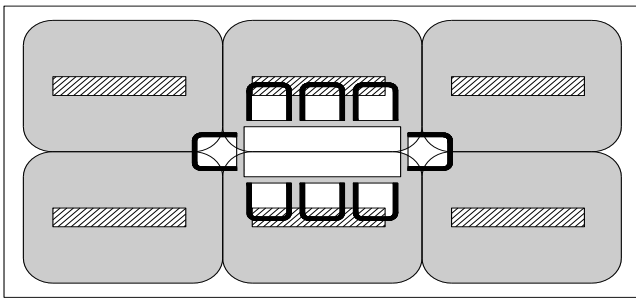


## Prinzip der Punktheizung

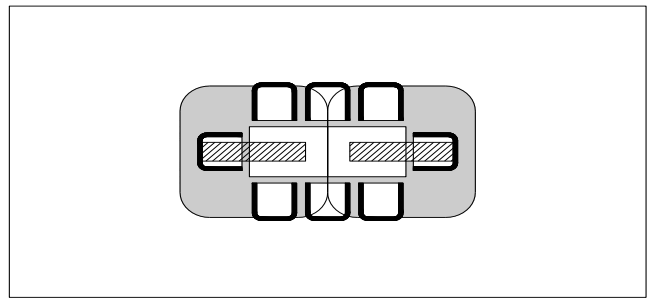
In den meisten Außen- oder schwer zu beheizenden Innenbereichen bieten sich meistens 2 Möglichkeiten, wenn Heizgeräte in Bezug auf Größe und Anzahl ausgewählt werden müssen. Die erste Möglichkeit besteht daraus, den gesamten Bereich auf der Grundlage der Gesamtfläche zu beheizen, ungeachtet der Frage, ob die Fläche gerade auch überall genutzt wird. Bei der zweiten Möglichkeit werden die am stärksten genutzten Bereiche per Punktheizung erwärmt; dies sind Tische im Freien, Grillstellen, Lounges, Fertigungsstraßen oder Arbeitsplätze innen, denn für diese Bereiche empfiehlt sich zumeist eine solche Punktheizung. Eine Punktheizung sorgt dafür, dass weniger Kosten für die erste Anschaffung anfallen, und garantiert zudem niedrigere Betriebskosten. Durch eine Punktheizung kann der Bereich in Zonen eingeteilt werden, sodass nur die Bereiche beheizt werden, die auch genutzt werden, wie Tische in einem Restaurant oder ein Sitzbereich im Freien.

Die obere Abbildung zeigt einen Vergleich zwischen einer Punktheizung über einem Tisch und der Beheizung einer gesamten Fläche.

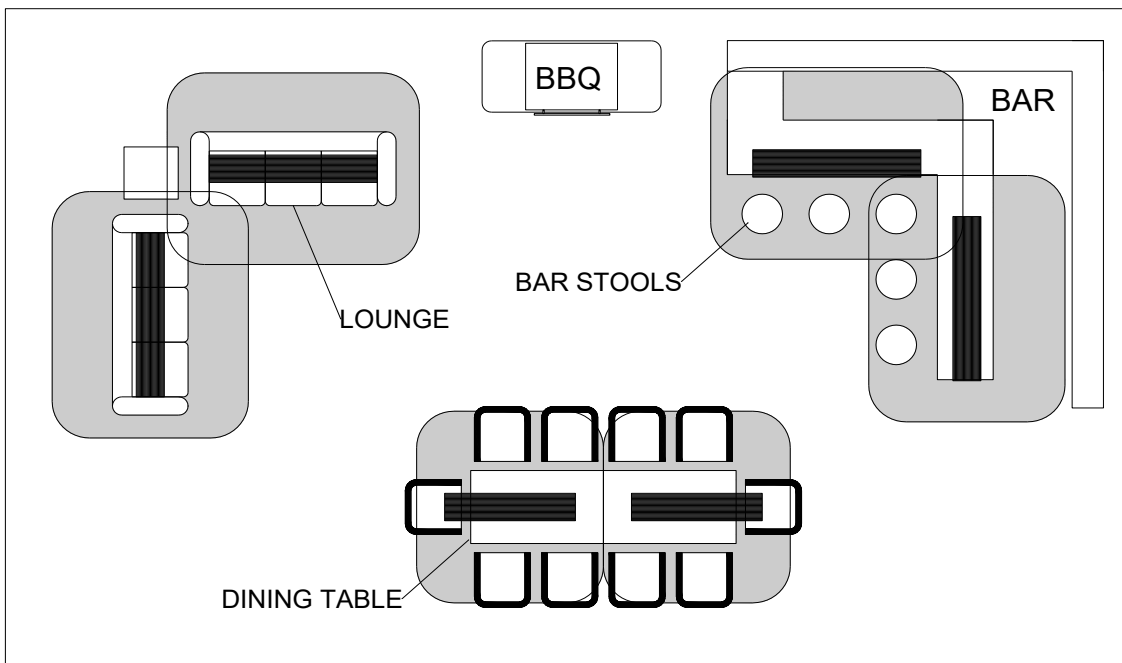
Die untere Abbildung zeigt die Flexibilität bei der Verwendung des HEATSTRIP, wenn es darum geht, eine angenehme Umgebung zu schaffen, selbst unter ungünstigeren Umgebungsbedingungen.



Option 1: 6 x THE2400EUR



Option 2: 2 x THE2400EUR





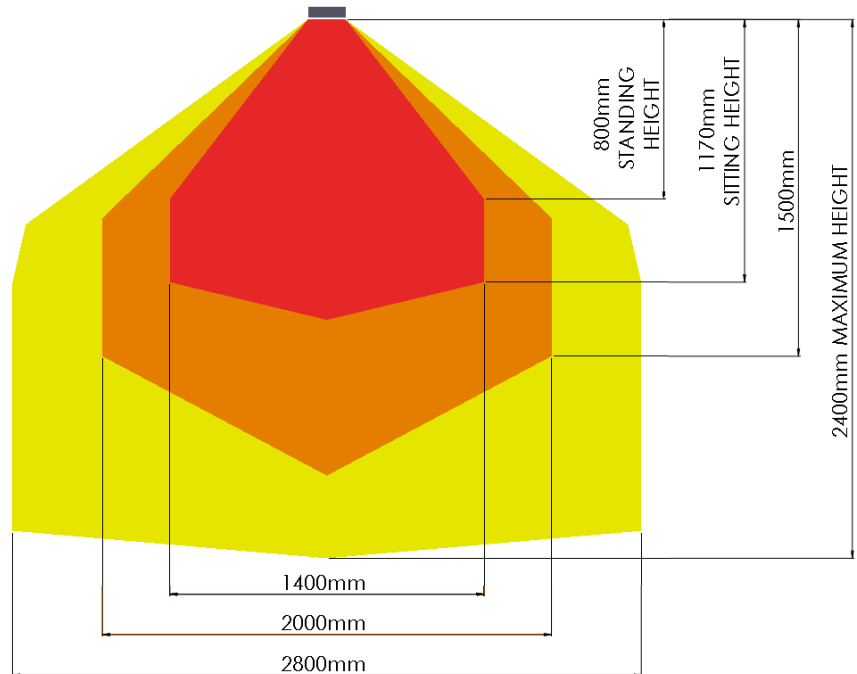
## Strahlungsbereich

Der elektrische Heizstrahler HEATSTRIP erzeugt Strahlungswärme, durch die Gegenstände und nicht die Luft erwärmt werden. Deshalb müssen sich die jeweiligen Gegenstände (d. h. Personen) im unmittelbaren Strahlungsbereich des Heizstrahlers befinden.

Auf der Grafik wird der Strahlungsbereich des HEATSTRIP Elegance gezeigt; diese Grafik kann als Richtschnur bei einem völlig eingefassten Außenbereich dienen. Hier wird dargestellt, dass sich die maximale Hitze direkt unter dem Heizstrahler befindet und die Temperatur in zunehmender Entfernung zum Heizgerät abnimmt.

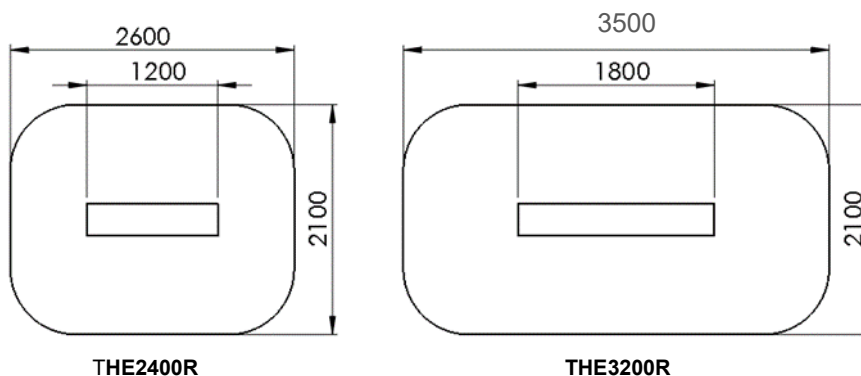
Außerdem zeigt sich, wie wichtig die empfohlene Befestigungshöhe ist, und dass der Heizstrahler - wenn möglich - direkt über der zu heizenden Fläche angebracht werden sollte.

Außerdem ist die Temperatur (d. h. die Oberflächentemperatur) ungeachtet der Wattleistung bei beiden Modellen gleich. Es gilt jedoch, dass, je größer und länger das Gerät ist, desto größer der Strahlungsbereich wird.

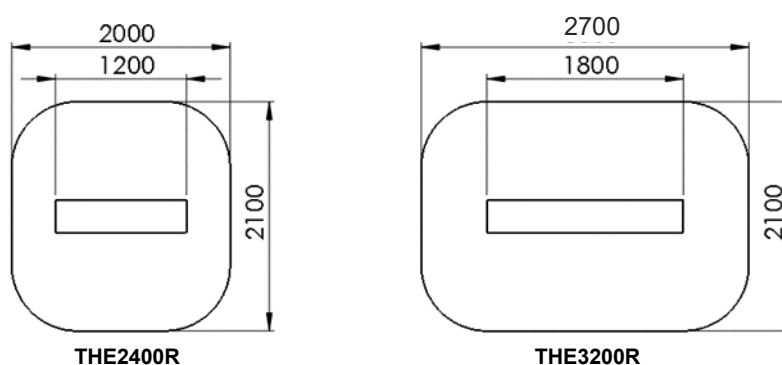


Die nachfolgenden Diagramme zeigen den ungefähren Strahlungsbereich für jedes Modell, sowohl bei Innenbereichen als auch bei eingefassten Außenbereichen, mit direkter Überkopf-Montage. Der Strahlungsbereich verringert sich bei Anwendungen mit geneigter Wandmontage.

### HEATED AREA INDOOR SPOT HEATING



### HEATED AREA OUTDOOR ENCLOSED HEATING





## Auswahlhilfe

Allgemeine Empfehlungen für HEATSTRIP® Elegance:

- Ideale Montagehöhe: 2,3 m bis 2,5 m. Das Maximum beträgt 2,7 m in einer vollständig geschützten / geschlossenen Außenumgebung.
- Idealer Montageort: Deckenmontage, direkt über dem zu beheizenden Bereich (z. B. über einem Tisch)
- Die empfohlene Mindestheizleistung für verschiedene Installationen beträgt: 400 W / m<sup>2</sup> für die Spotheizung in Innenräumen; 500 W / m<sup>2</sup> für geschützte Außenbereiche und 600 W / m<sup>2</sup> für exponierte Außenbereiche. Um sicherzustellen, dass der HEATSTRIP® Elegance eine zufriedenstellende Leistung bietet, empfiehlt Thermofilm dringend, konservative Abdeckungsbereiche zu verwenden, wenn Sie angeben, wie viele Heizungen für jede Installation erforderlich sind.

In der nachstehenden Tabelle wird die maximale Abdeckung jedes HEATSTRIP® Elegance-Modells anhand von zwei verschiedenen Szenarien mit direkter Deckenmontage bei minimaler Installationshöhe dargestellt. Für einen Außenbereich, der vor Winden, Wänden, Café-Jalousien usw. vor Wind geschützt ist, kann das Modell THE2400R maximal 4,8 m<sup>2</sup> und das Modell THE3200R maximal 6,4 m<sup>2</sup> abdecken.

MODEL	INNEN GESCHÜTZT (m <sup>2</sup> )	AUSSENGEHAUSE (m <sup>2</sup> )	AUSSENBEREICH (m <sup>2</sup> )
THE2400EUR	6	4.8	4
THE3200EUR	8	6.4	5.3



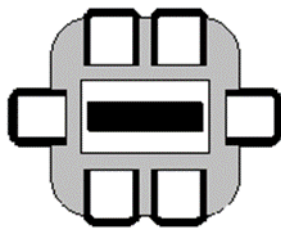




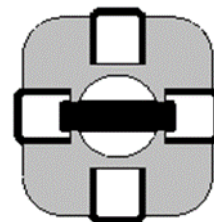
## Tischanordnung

Für die Mehrzahl der Außenbereiche ist es am effektivsten, einen Tisch oder einen ähnlichen Bereich punktuell zu beheizen. Die nachfolgenden Abbildungen bieten eine einfache Auswahlhilfe für das ungefähre Modell und die Anzahl der Heizstrahler, die erforderlich sind, um gängige Tischanordnungen in Wohnungen zu beheizen.

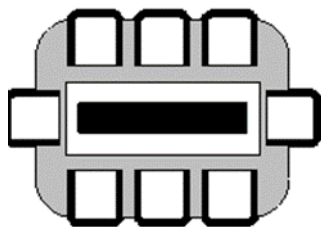
Die Auswahl basiert auf dem HEATSTRIP-Modell, das in einer Höhe von 2,4 m montiert wird und einem überdachten, vollständig eingefassten Außenbereich.



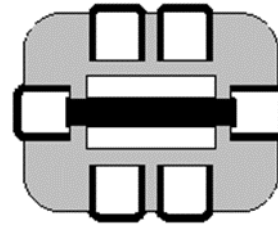
THE2400R



THE2400R



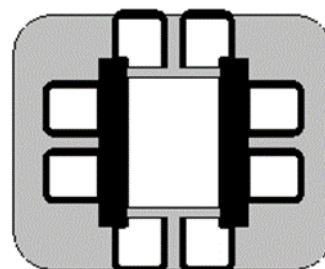
THE3200R



THE3200R



2x THE2400R

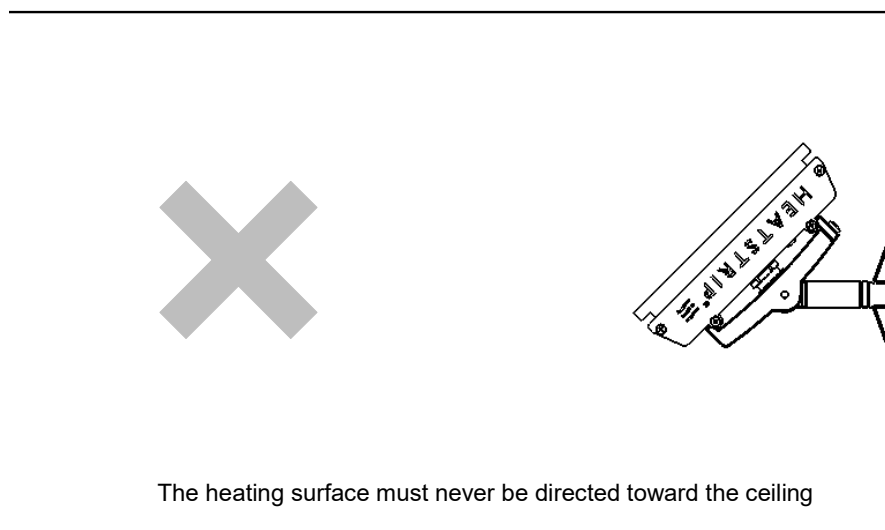
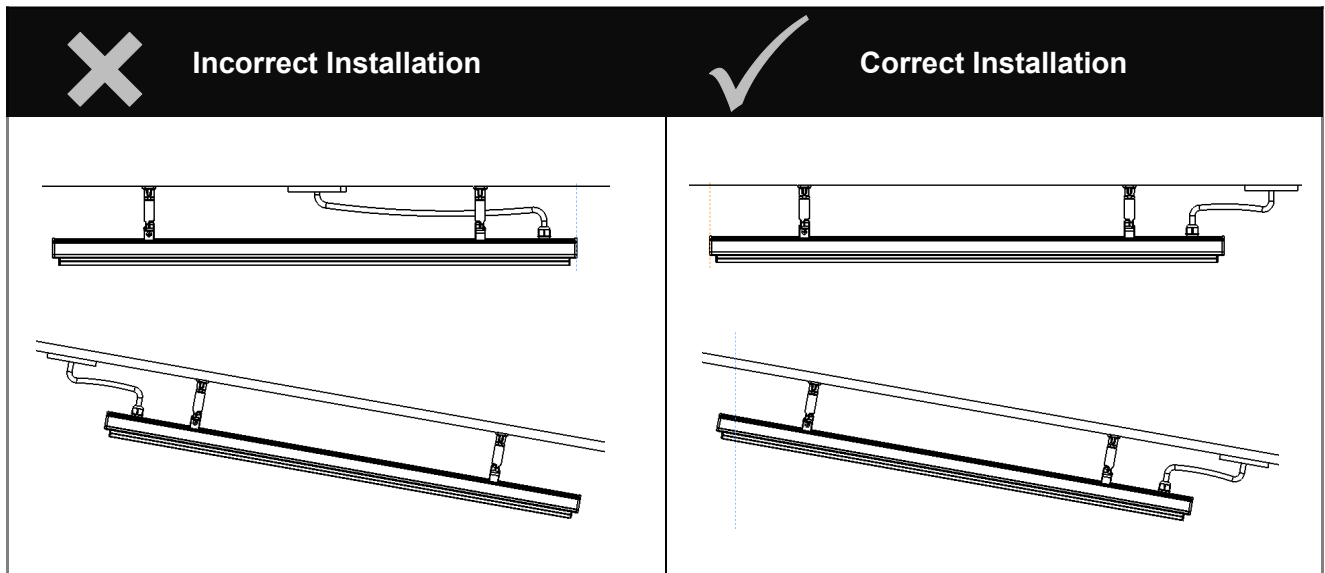


2x THE3200R

## Anforderungen bei der Installation

Die ideale Anbringungsposition des HEATSTRIP Elegance ist an der Decke direkt über dem zu erwärmenden Bereich. Sollte dies nicht möglich sein, kann der HEATSTRIP Elegance an einer Wand in einem abwärts geneigten Winkel angebracht werden. In einer solchen Situation ist darauf zu achten, dass die Befestigungshöhe zwischen 2,4 und 3,0m liegt und der Tisch nicht weiter als 3,0m von der Wand entfernt ist.

Bei einer Anbringungshöhe über 3,5m wird empfohlen, das als Option erhältliche Zubehör zu verwenden, damit der Heizstrahler doch in einer Höhe zwischen 2,4 bis 3,5m hängt, sodass der HEATSTRIP einen optimalen Wirkungsgrad erbringt. Im Abschnitt Zubehör für die Befestigung finden sich weitere Informationen. Die elektrischen bzw. allgemeinen Stromanschlüsse dürfen sich nicht an der Rückseite des Heizstrahlers befinden. Sie sollten sich außerhalb des tatsächlichen Wirkungsbereichs eines Geräts befinden, damit sich möglichst wenig Hitze hinter den Geräten staut. Soll der Heizstrahler an einer geneigten Fläche montiert werden (z. B. gewölbte Decke), ist sicherzustellen, dass sich der elektrische Anschluss am tiefsten Punkt des Heizstrahlers befindet.

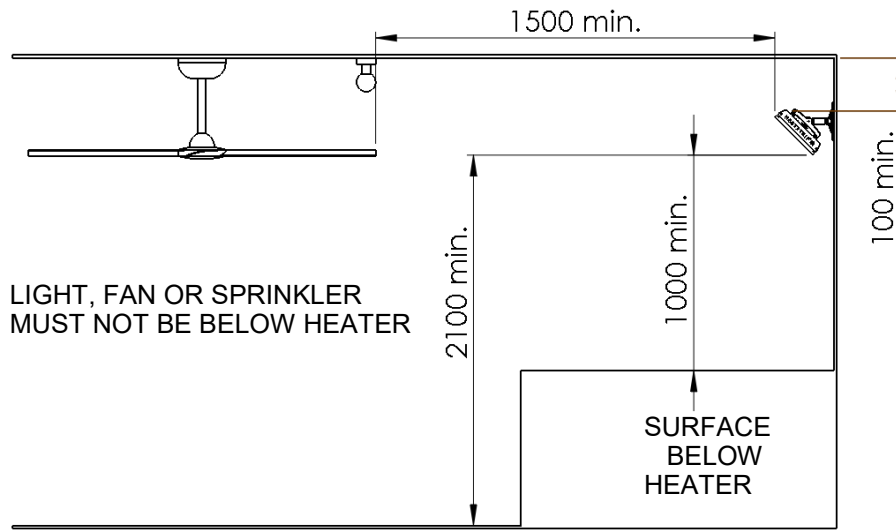




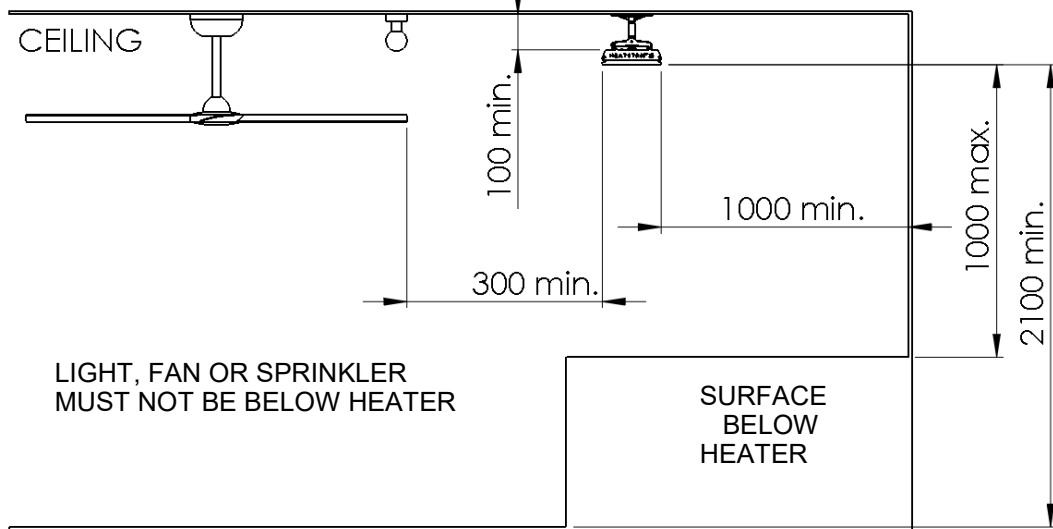
**Befestigungsort** — Auf den nachstehenden Abbildungen werden die jeweils empfohlenen Mindestabstände gezeigt.

**WARNING:** This heater is not equipped with a device to control the room temperature. Do not use this heater in small rooms when they are occupied by persons not capable of leaving the room on their own, unless constant supervision is provided.

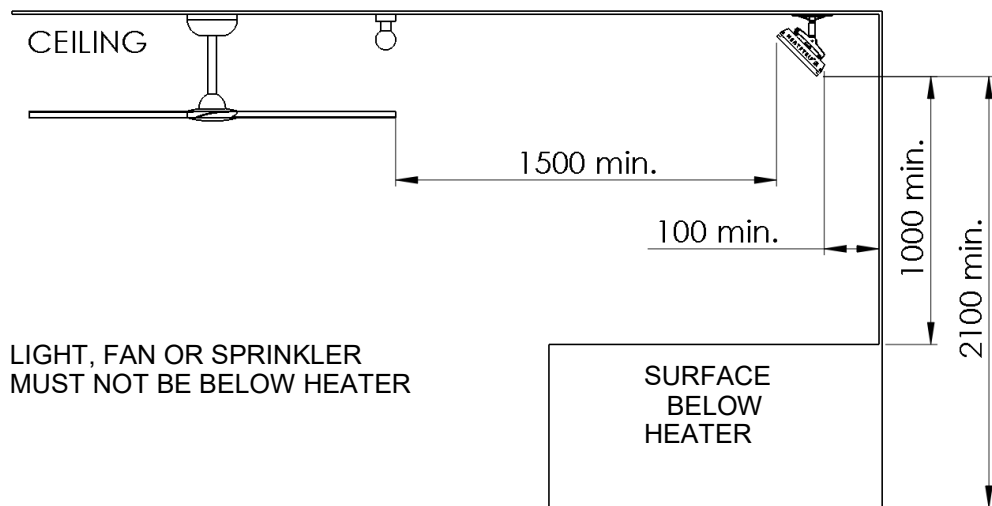
**Angled Wall Installation**



**Ceiling Installation**



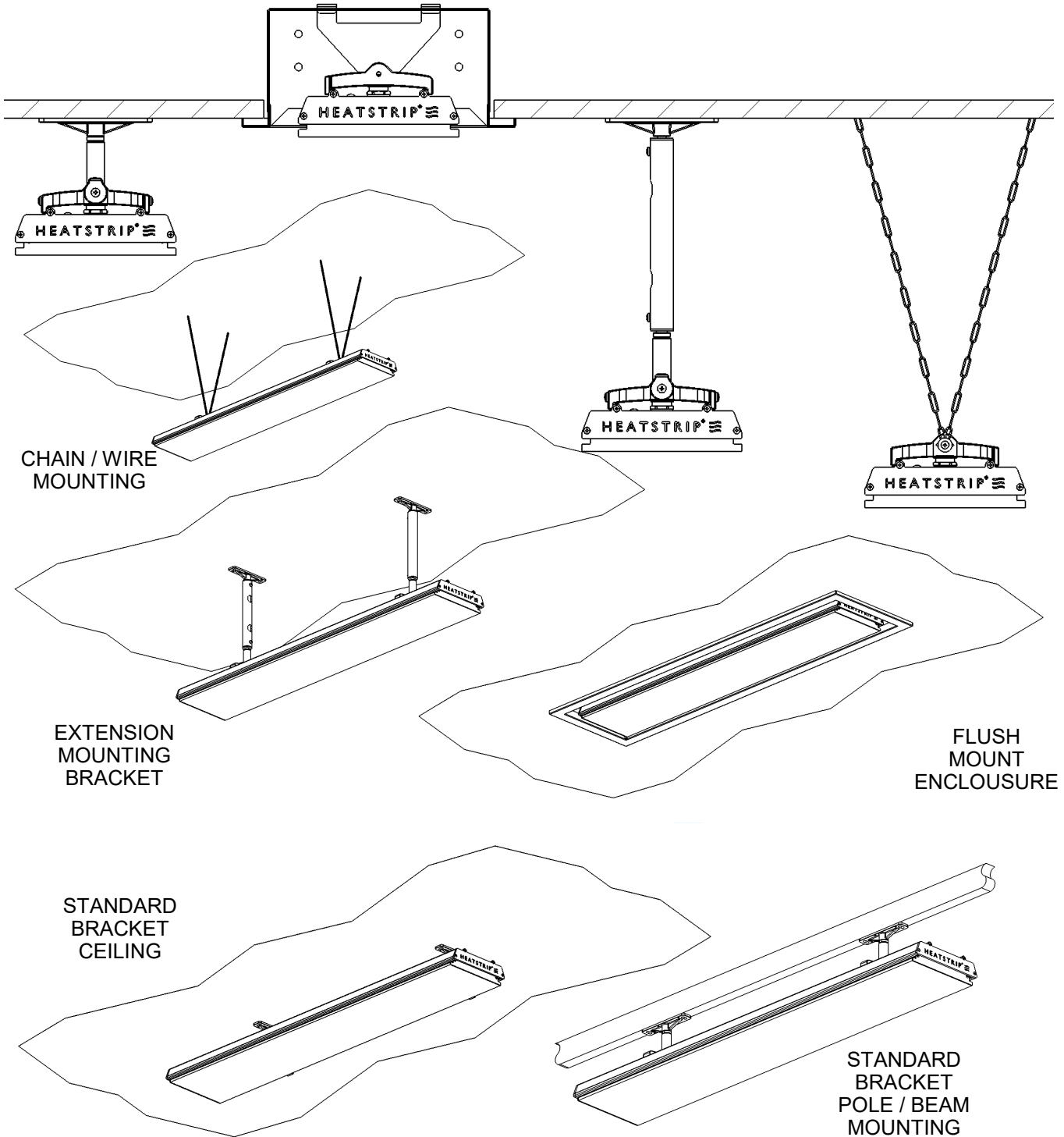
**Angled Ceiling Installation**



## Möglichkeiten zur Befestigung

Mit den im Lieferumfang enthaltenen standardmäßigen Befestigungsbügeln verläuft die Anbringung des HEATSTRIP Elegance schnell und einfach. Für andere, nicht ganz optimale Stellen sind viele verschiedene Zubehörteile erhältlich (siehe bitte auch die nachstehenden Abbildungen).

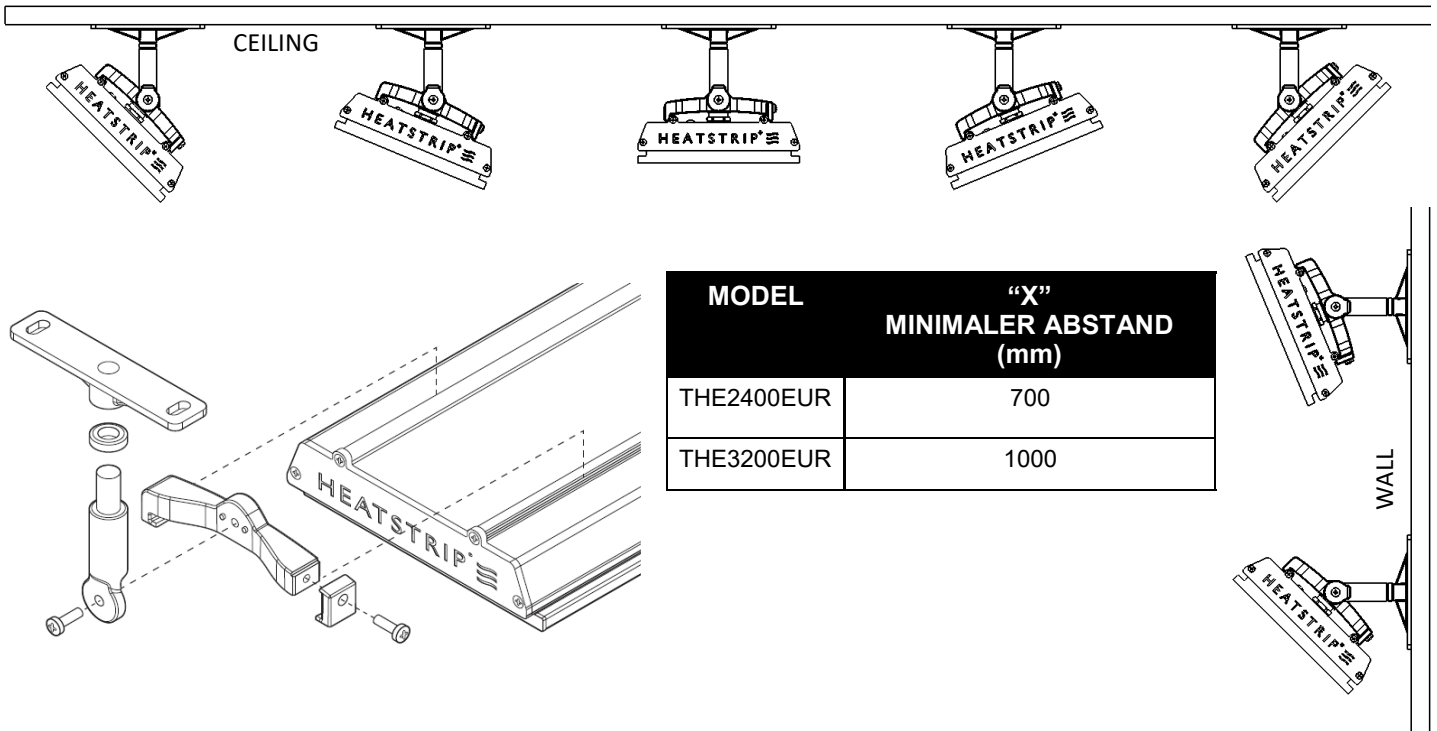
Die HEATSTRIP Elegance-Modelle können direkt an der Decke oder nach unten abgewinkelt an einer Wand montiert werden, deckenbündig eingebaut werden; an Ketten aufgehängt oder Stangen befestigt werden; an Balken oder Stangen angebracht werden; aneinandergereiht oder in 2 Geräten zusammen montiert werden. Weitere Informationen und Details zu jeder Montagemöglichkeit sind den nachfolgenden Seiten zu entnehmen.



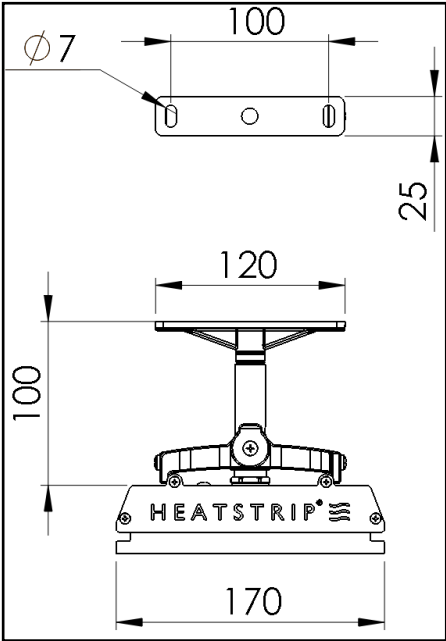
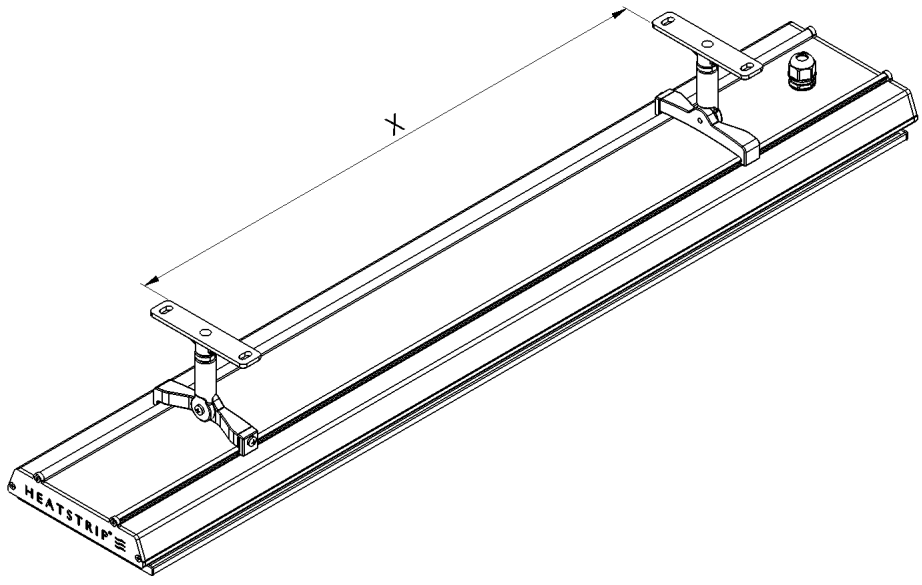


## Standardmäßige Montagebügel

Im Lieferumfang des HEATSTRIP Elegance ist ein Paar Standard-Montagebügel enthalten. Diese einstellbaren Bügel ermöglichen die direkte Wand- oder Deckenmontage und werden mit vorab eingestellten Winkeloptionen oder parallel geliefert (22,5° und 45°).



MODEL	"X" MINIMALER ABSTAND (mm)
THE2400EUR	700
THE3200EUR	1000



PART No	VERPACKTE ABMESSUNGEN (mm)	GEWICHT (kg)	STOFF
ZBRAK-113W	125 x 150 x 40	0.2	ALLOY

## Ebmessungen

Das Unterputz-Gehäuse ist eine ideale Möglichkeit, den HEATSTRIP ordentlich in eine Decke zu installieren. Sie sind für alle HEATSTRIP Elegance Modelle erhältlich und werden als einteiliges Gerät geliefert, das für die Montage einzelner Heizer geeignet ist. Die Unterputzmontage kann mit Putz- oder Holzauskleidungen verwendet werden.

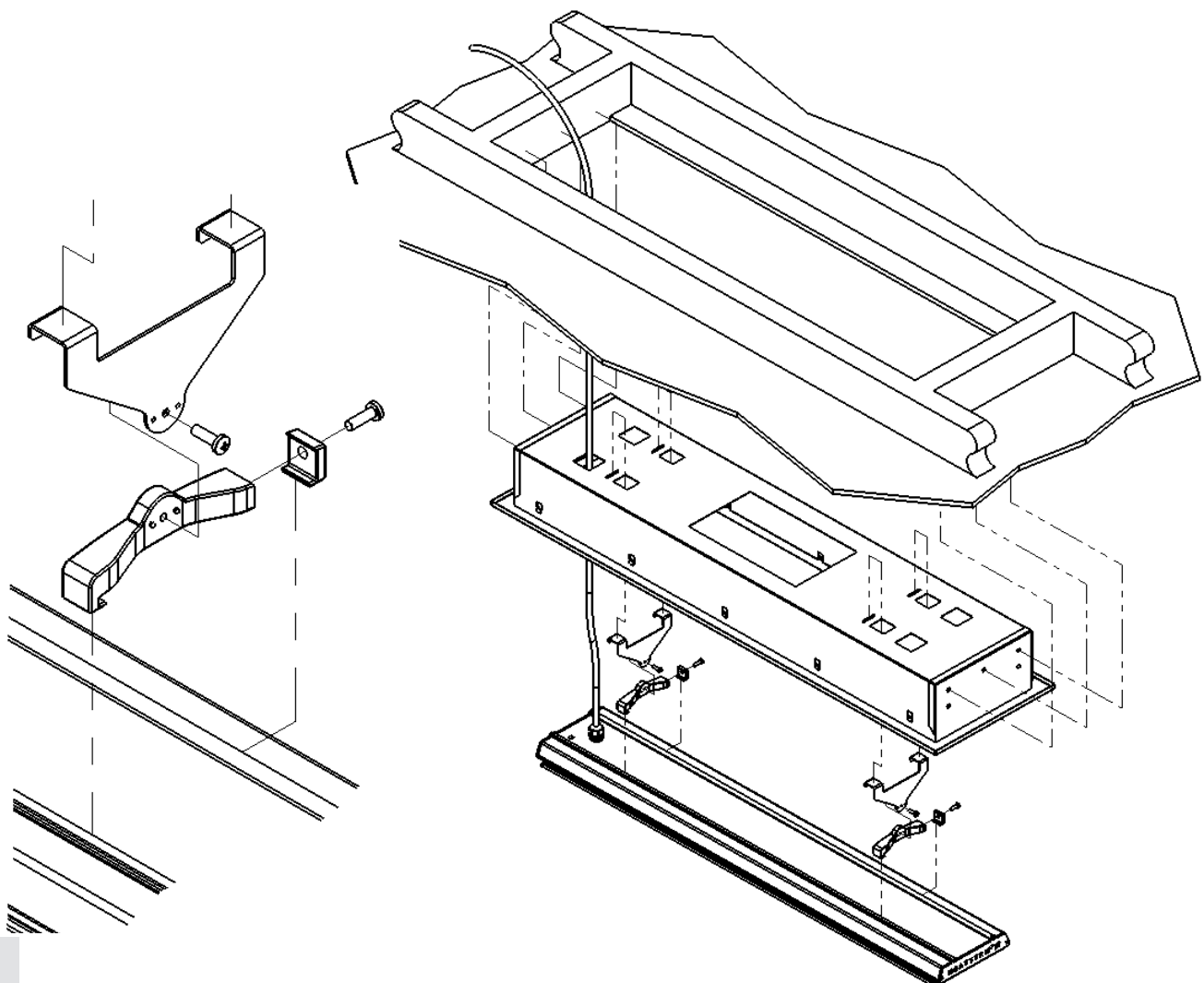
Eine ideale Montagehöhe beträgt 2.3m-2.5m, mit einer maximalen Deckenhöhe von 2.7m im Außenbereich. Maximale Montagehöhen sollten strikt eingehalten werden, da sonst die Leistung der Geräte reduziert werden kann.

Ein Mindestabstand von 50mm hinter dem Gehäuse ist vorzusehen.

Das Gehäuse ist aus pulverbeschichtetem Stahl gefertigt.

Detaillierte Installationshinweise entnehmen Sie bitte der Installationsanleitung des Einbau Einbaugesäuses.

SUITABLE FOR MODEL	PART No	HOLE CUTOUT DIMENSIONS (mm)	OVERALL DIMENSIONS (mm)	WEIGHT (kg)
THE2400EUR	THERAC-056	240 x 1390	290 W x 1440 L x 201 D	8
THE3200EUR	THERAC-057	240 x 1790	290 W x 1840 L x 201 D	9



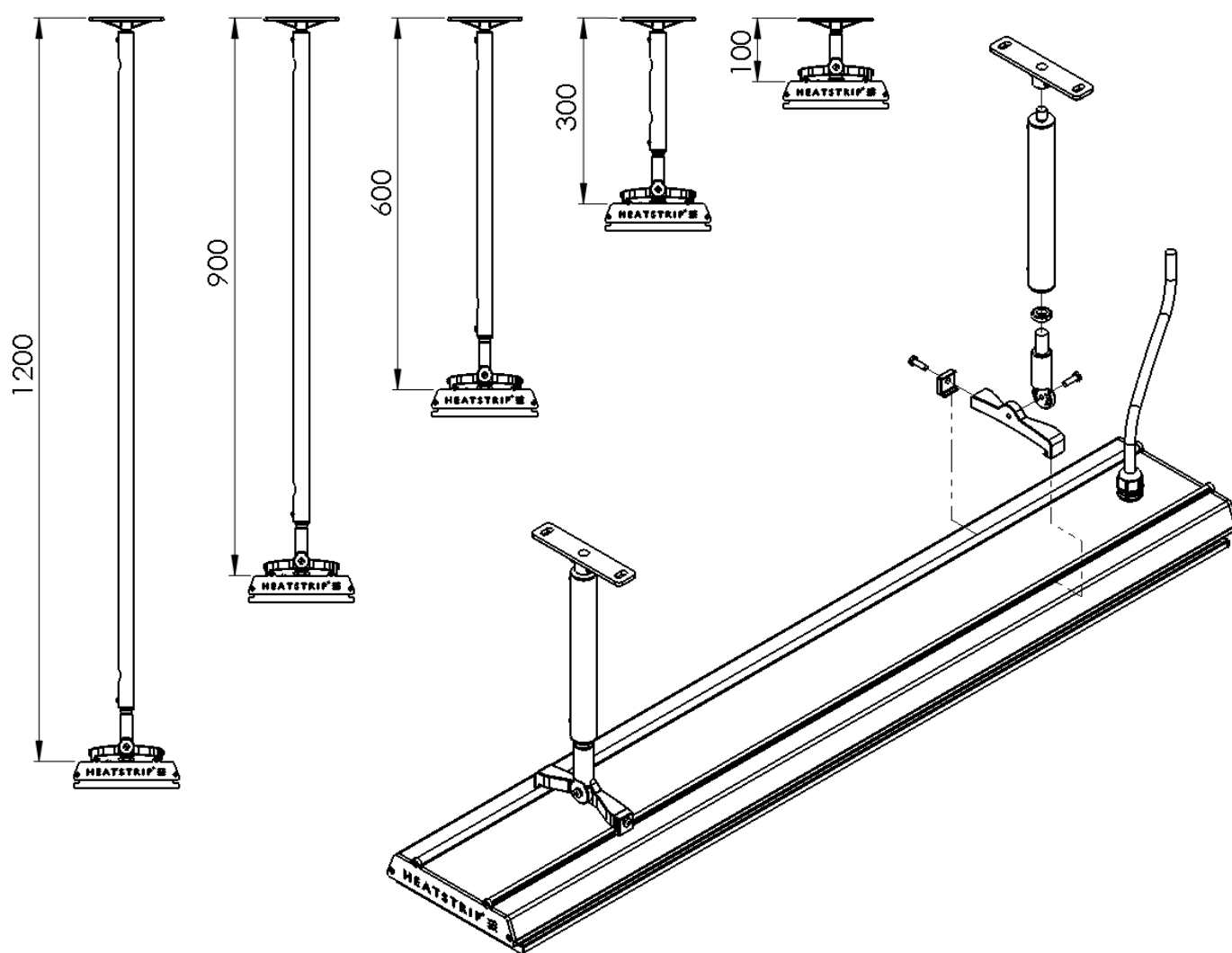




## Verlängerung Montagebügel

Mit dem Verlängerungsteil für den Montagebügel kann der HEATSTRIP Elegance mit festen Verbindungen niedriger unter Decken angebracht werden. Die Bügel werden mit 25mm x 25mm x 1mm großen Stangen (SHS) geliefert, die als Komplettsatz mit Bügeln, nach Maß gesägten Stangen und Anschlüssen zur Verfügung stehen. Die Standardlängen bei dem Satz sind 300mm, 600mm, 900mm und 1200mm.

Diese Sets umfassen alle Bügel, Stangen und Schrauben, die für die Verbindung mit den Heizgeräten benötigt werden, enthalten aber keine Schrauben für die Deckenmontage.



TEIL NR.	ABMESSUNGEN VERPACKT (MM)	GEWICHT (KG)	MATERIALIEN	BEMERKUNGEN
THEAC-043	300 x 150 x 50	0.21	Aluminium	Kit includes 2x300mm extension pole
THEAC-044	600 x 150 x 50	0.38	Aluminium	Kit includes 2x600mm extension pole
THEAC-045	900 x 150 x 50	0.55	Aluminium	Kit includes 2x900mm extension pole
THEAC-046	1200 x 150 x 50	0.71	Aluminium	Kit includes 2x1200mm extension pole



## Hangende montagebeugel

De hangende montagebeugel biedt een goedkope, eenvoudige en effectieve manier om de HEATSTRIP Design aan hoge plafonds op te hangen. Als het plafond hoger is dan 3,0 m in een omsloten buitenruimte, of 2,7m in een open ruimte, raden wij aan de heater te verlagen tot een ideale montagehoogte van 2,3m tot 2,7m. De beugel is ontworpen voor gebruik met kettingen of kabels. Zoals de onderstaande diagrammen laten zien, zijn er meerdere montage mogelijkheden met kettingen/kabels.

Opmerking: de kettingen/kabels worden niet meegeleverd met de heaters.

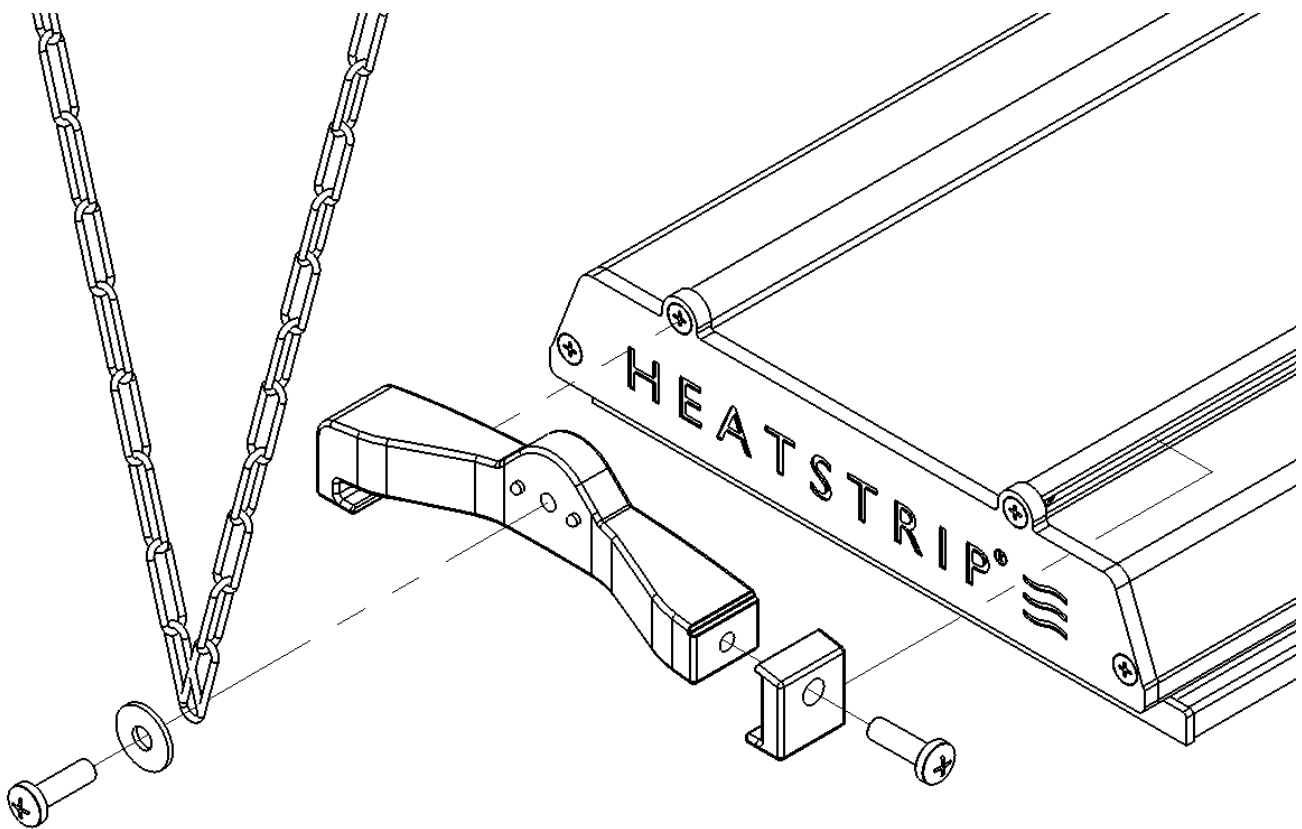


Diagram above shows one potential means of installation using chain or wire

## THE-R Betriebssteuerung mit Fernbedienung

Der THE-R ist ein kundenspezifisch konstruierter und gefertigter Heizer. Es wurde für eine einfache Bedienung entwickelt und bietet niedrige Heizkosten. Sie bietet sowohl eine Temperaturregelung (die es dem Benutzer ermöglicht, die Heizungsausgabe in Abhängigkeit von Umgebungstemperatur und -bedingungen nach oben oder unten zu drehen) als auch einen Zeitgeber für das automatische Abschalten der Heizung

Wenn das Heizgerät angeschlossen ist, drücken Sie auf der Fernbedienung die Taste „Power“. Die Betriebsanzeige leuchtet, und drücken Sie die Funktionstaste. Es bietet sowohl eine Temperaturregelung, die es dem Benutzer ermöglicht, die Heizleistung auf Hoch oder Niedrig zu stellen, als auch einen Timer für den automatischen Heizbetrieb, entweder 1, 2 oder 4 Stunden.

### THE-R-Funktionen

Die Heizung ermöglicht die Kombination mehrerer Timer (1/2/4 Stunden) und Heizleistungen (Hoch / Niedrig). Die Standardeinstellung ist Dauerbetrieb bei voller Temperatur.

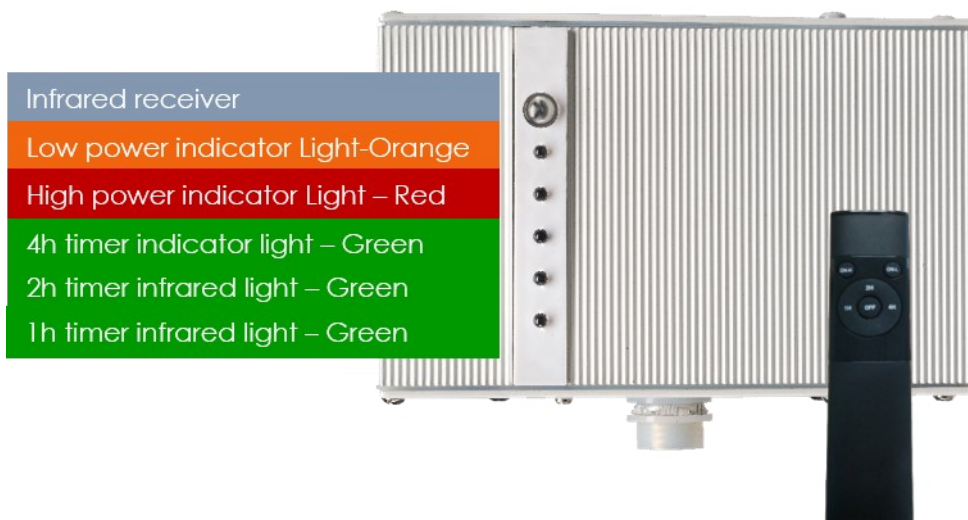
Die Timerfunktion hat vier Einstellungen: 1 Stunde, 2 Stunden, 4 Stunden oder ständig EIN. Diese Funktion ist ideal für Anwendungen wie Außenbereiche, Restaurants, Fließbandproduktion usw., wenn keine kontinuierliche Wärme benötigt wird. Der Timer verringert auch die Wahrscheinlichkeit, dass Heizungen versehentlich eingeschaltet bleiben.

Abhängig von der Umgebungstemperatur kann es erforderlich sein, die Wärme einzustellen. Der Controller hat 2 Einstellungen: High und Low.

### Remote-Pairing

Alle Geräte arbeiten mit der gleichen Fernbedienungsfrequenz. Daher können mehrere Heizgeräte mit einer einzigen Fernbedienung bedient werden.

Bei Verwendung in einer geraden Linie funktioniert die Fernbedienung in einer Entfernung von mehr als 8 m. Dieser Abstand verringert sich bei Verwendung in einem Winkel.



Controller functionality, please refer to page 78.

## Fernbedienung

### Signalgeber

- Richten Sie den Sender auf die Heizung, um die Fernbedienung zu verwenden. Damit das Gerät funktioniert, ist eine Sichtverbindung erforderlich.
- Der Controller hat keine Schutzart. Der Controller muss von nassen Anwendungen ferngehalten werden.
- Bei Verwendung in einer geraden Linie funktioniert die Fernbedienung bei Entfernungen von mehr als 8 m. Dieser Abstand verringert sich bei Verwendung in einem Winkel.

### Automatischer Countdown-Timer

- Drücken Sie 1H, um das automatische Herunterfahren für 1 Stunde zu beginnen.
- Drücken Sie 2H, um das automatische Herunterfahren für 2 Stunden zu beginnen.
- Drücken Sie 4H, um die automatische Abschaltung nach 4 Stunden zu beginnen.

### Empfänger

- Empfänger befindet sich am Heizgerät.



### Temperatursteuerungstaste

- Drücken Sie die ON-H-Temperatur auf HIGH.
- Drücken Sie ON-L Temperatur wird auf LOW eingestellt.

### OFF-Taste

- Drücken Sie diese Taste einmal, um den Betrieb auszuschalten.

### Batterie

- AAA-Batterie für den Betrieb erforderlich



### FERNFUNKTIONEN

ON-H	Temperatur hoch
ON-L	Temperatur niedrig
OFF	Gerät aus
1H	1H Automatischer Timer
2H	2H Automatischer Timer
4H	4H Automatischer Timer

Infrared receiver  
 Low power indicator Light-Orange  
 High power indicator Light – Red  
 4h timer indicator light – Green  
 2h timer infrared light – Green  
 1h timer infrared light – Green



## Sicherheit

HEATSTRIP Elegance wurde der IP-Klasse 55 zugeordnet, d. h., dass das Gerät für eine Wassereindringung von allen Seiten geeignet ist. Der HEATSTRIP Elegance kann unbedenklich abgespült werden. Der HEATSTRIP wurde umfassenden Prüfungen unter Laborbedingungen unterzogen: im Werk von Thermofilm in Melbourne und bei Feldversuchen in Australien, Europa und im Ausland. Durch diese umfassenden Prüfungen kann sich der Käufer darauf verlassen, dass ihm ein hochwertiges Produkt zur Verfügung steht.

In Tests bei unabhängigen Labors wurde bestätigt, dass den australischen und anderen internationalen Normen vollständig entspricht werden. Diese umfassen CE, AS/ANZ, UL/CSE.

Der Heizstrahler wird sowohl als Ausführung mit Stecker (2400 W) als auch festverdrahtet (3600 W) geliefert. In beiden Fällen muss der Stromanschluss von einem geprüften Elektriker gemäß den geltenden Bestimmungen für elektrische Anschlüsse vorgenommen werden.

Der HEATSTRIP ist ein Gerät der Klasse 1, das geerdet werden muss.

Während des Betriebs ist der Heizstrahler SEHR HEISS; berühren Sie deshalb bei der Verwendung keine Teile des Geräts. Das Gerät darf erst wieder 30 Minuten nach dem Abschalten berührt werden.

Dieses Gerät ist nicht für die Verwendung durch Personen (einschließlich Kinder) mit eingeschränkten körperlichen, sensorischen oder geistigen Eigenschaften oder mit einem Mangel an Wissen oder Erfahrung geeignet, es sei denn, dass sie von einer Person, die für ihre Sicherheit verantwortlich ist, eine Einweisung zur Verwendung des Geräts erhalten hat, oder diese Person ihr Handeln beaufsichtigt. Kinder müssen immer beaufsichtigt werden, damit gewährleistet ist, dass sie nicht mit dem Gerät spielen.

Kabel, Einrichtungsgegenstände, Möbel, entzündliche Gegenstände oder andere Objekte dürfen nicht in Kontakt mit einer Oberfläche des Heizstrahlers kommen.

Bei einer Installation in einer feuchten Umgebung müssen Schalter und Regler des Heizstrahlers so angebracht werden, dass sie nicht von Personen in der Dusche oder Wanne bedient werden können. Der Heizstrahler muss gemäß den Installationshinweisen angebracht werden; dabei ist den Mindestabständen besondere Aufmerksamkeit zu widmen.

Der Heizstrahler muss an einer festen Halterung oder einem festen Bügel angebracht werden.

Der Heizstrahler darf nicht direkt über oder vor einem Stromanschluss angebracht werden.

Bei einer Störung des Heizstrahlers oder einem defekten Stromkabel muss das Gerät zum Verkäufer zurückgebracht werden, sodass es Cook & Heat B.V. zur Reparatur eingeschickt werden kann.

## Instandhaltung

Der HEATSTRIP Elegance besteht aus soliden Materialien, aber dennoch führen eine regelmäßige Pflege und Instandhaltung Ihres Heizstrahlers zu einer längeren Lebensdauer des Geräts.

Es wird empfohlen, den Heizstrahler abzuspritzen und die Oberflächen mit einem feuchten Tuch und einem milden Reinigungsmittel vorsichtig abzureiben, um die aus der Umgebung stammenden Verunreinigungen zu entfernen. Danach müssen alle Reinigungsmittel vom Heizgerät abgespült werden. Sämtliche Chemikalien aus der Umgebung (wie Zigarettenrauch und Abgase) führen zu Verfärbungen der Geräteoberfläche. In diesem Fall sind eine zusätzliche Reinigung und Wartung erforderlich. Wenn das Gerät mindestens alle drei Monate gereinigt wird, kommt es zu weniger Ablagerungen und behält es ein optimales Aussehen. Sollte der Heizstrahler in einer korrosiven Umgebung (z. B. am Meer) stehen, wird empfohlen, das Gerät jede Woche mit klarem Wasser abzuspülen. Stellen Sie den Heizstrahler nach der Reinigung für 20 Minuten ein, damit Wasserreste trocknen und sich keine Flecken bilden. Der Heizstrahler muss vor der Reinigung und Inspektion ausgeschaltet werden und vollständig abgekühlt sein. Benutzen Sie keine scheuernden Mittel oder Produkte zur Reinigung des Heizstrahlers (dies umfasst Lösungsmittel, Reinigungsmittel auf Zitronenbasis oder andere scharfen Reinigungsprodukte).

Achten Sie auf saubere Hände beim Umgang mit dem Heizstrahler oder tragen Sie saubere Handschuhe, weil Schmutz zu Verunreinigungen auf dem Gerät führen kann. Benutzen Sie zum Säubern keinen Hochdruckreiniger, sondern spritzen Sie das Gerät nur leicht ab.

## Garantiebedingungen und -bestimmungen

Cook & Heat B.V. garantiert dem Originaleigentümer, dass die Produkte HEATSTRIP Elegance für einen Zeitraum von 24 Monaten ab dem Zeitpunkt des Ankaufs weder Mängel am Material noch Mängel bei der Verarbeitung aufweisen; diesbezüglich finden die nachstehenden Garantiebedingungen und -bestimmungen Anwendung.

Für einen Garantieanspruch muss den folgenden Auflagen entsprochen werden: Der HEATSTRIP muss entsprechend den Installationshinweisen und den geltenden elektrischen Vorgaben und Bestimmungen installiert werden.

- Der HEATSTRIP muss entsprechend den im Installationshandbuch dargelegten Hinweisen instand gehalten und gereinigt werden.
- In Hinsicht auf den Leistungsbedarf werden weder direkt noch indirekt Garantien gegeben. Die Wahl des Geräts bzw. der Geräte hängt völlig von der Systemauslegung und den Leistungen ab, wie diese vom Käufer bestimmt wurden.
- Der Kunde hat das Gerät weder repariert, geöffnet noch auf eine andere nicht gestattete Weise geändert.
- In dieser Garantie werden Schäden am Produkt oder den Einzelteilen ausgeschlossen, die auf Faktoren zurückzuführen sind, auf die Cook & Heat B.V. keinen Einfluss hat, dies ein- aber nicht ausschließlich zweckentfremdete Verwendung, Veränderungen am Produkt, unsachgemäße Installation, unrichtige Stromversorgung, Beschädigungen bei der Lieferung, unrichtige Anwendung, Missbrauch, fehlerhafte Nutzung, Vandalismus, mangelhafte Instandhaltung oder Unfälle.
- Die Verpflichtungen von Cook & Heat B.V. beschränken sich auf eine Reparatur oder einen Austausch derjenigen Produktteile, die nach dem Ermessen von Cook & Heat B.V. defekt sind.
- Der Kunde kommt allein für die im Rahmen der Rücksendung des Produktes an das Werk von Cook & Heat B.V. (oder einen anderen schriftlich von Cook & Heat B.V. bezeichneten Ort) anfallenden Transportkosten auf.
- Sämtliche Produkte werden vor dem Versand geprüft und inspiziert, und unterliegen nach dem Transport von Cook & Heat B.V. dem Risiko des Käufers, es sei denn, dass sie von Cook & Heat B.V. bis an den Zielort gebracht werden.
- Im Laufe der Zeit kann es zu Verfärbungen der Oberfläche kommen, die keinen Anspruch auf Garantieleistungen darstellen.
- Es kann zu einem Verformen oder Verbiegen des Heizstrahlers kommen, ohne dass dadurch ein Garantieanspruch entsteht.
- Weder Produkte noch Einzelteile werden vor einer Prüfung des fehlerhaften Produkts oder der Einzelteile seitens Cook & Heat B.V. oder eines befugten Vertreters von Cook & Heat B.V. bereitgestellt.
- Cook & Heat B.V. übernimmt keine vor Ort anfallenden (Arbeits-)Kosten im Rahmen des Austauschs von Teilen, einer Reparatur, Demontage, Installation, Instandhaltung, des Transports oder der Handhabung von Teilen für ganze Produkte und haftet ferner nicht für Teile, die ohne ein schriftliches Einverständnis repariert oder ersetzt wurden. Cook & Heat B.V. übernimmt keine Haftung für Ausfälle oder Verzögerungen bei der Einhaltung ihrer Garantiepflichtungen, die auf Faktoren zurückzuführen sind, die außerhalb ihrer Einflussnahme liegen; dies umfasst ein- aber nicht ausschließlich rechtliche oder staatliche Einschränkungen, Streiks, Brand, Hochwasser, extreme Witterungsbedingungen und eine verzögerte Lieferung von Einzelteilen.

Sollte sich bei der Ankunft herausstellen, dass Produkte defekt sind, ist die Transportfirma umgehend über den Zustand in Kenntnis zu setzen, der außerdem auf den Frachtpapieren festgehalten wird. Sollten sich Beschädigungen erst nach dem Auspacken herausstellen, ist eine sofortige Inspektion seitens der Transportfirma zu verlangen, und haben die Beschädigungen auf den Frachtpapieren deutlich angeführt zu werden.

Der Kunde gewährleistet, das Produkt unter Beachtung der folgenden Bestimmungen zu verwenden:

- Die von Cook & Heat B.V. im gewissen Abständen bereitgestellten Informationen werden beachtet.
- Sämtliche staatlichen und vor Ort geltenden Bestimmungen werden beachtet, dies ein- aber nicht ausschließlich der geltenden elektrischen Auflagen, Umweltgesetze sowie der Bestimmungen zur Installation, Lagerung, Verwendung, Handhabung und Wartung der Produkte.
- Sämtliche erforderlichen und angemessenen Vorsichts- und Sicherheitsmaßnahmen in Bezug auf die Installation, Lagerung, Verwendung, Handhabung und Wartung der Produkte werden beachtet.

### VERTRIEBEN VON:

**Cook & Heat B.V.**  
[www.heatstrip.eu](http://www.heatstrip.eu)

### HERGESTELLT VON:

**Thermofilm Australia Pty Ltd**  
17 Johnston Court  
Dandenong South,  
Victoria, 3175 Australia