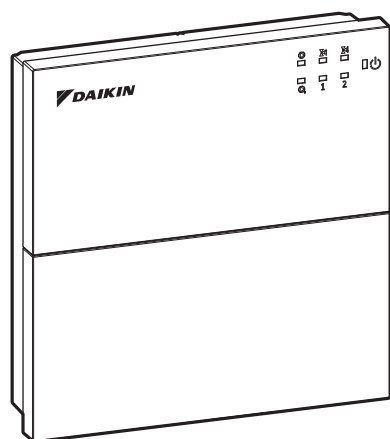




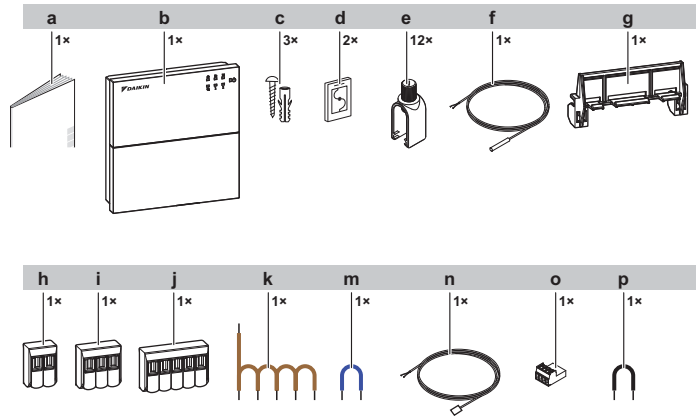
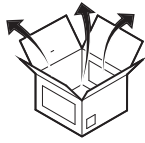
Bizone Kit MMI



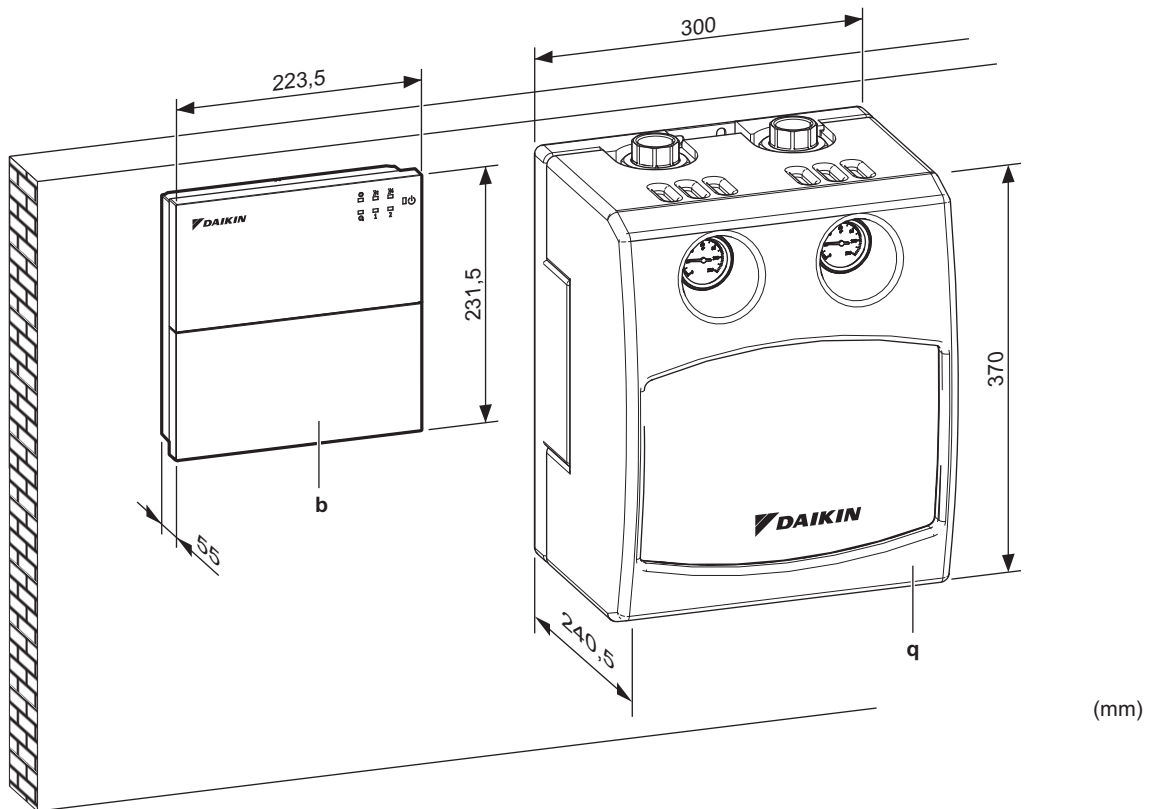
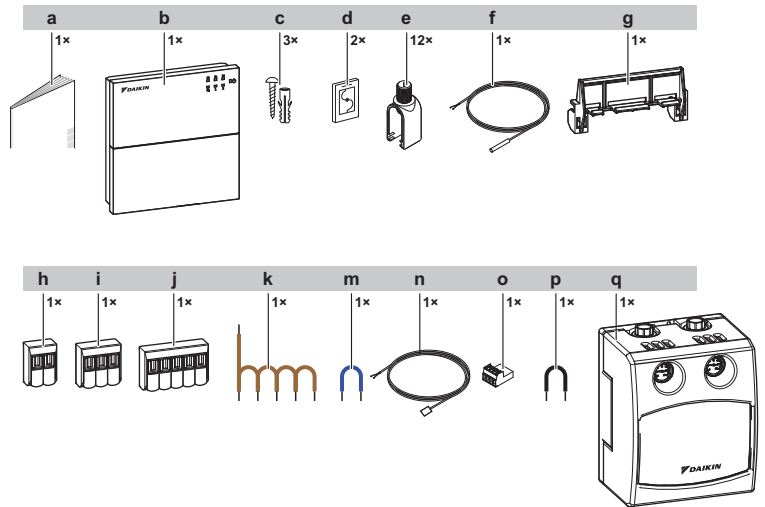
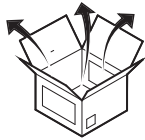
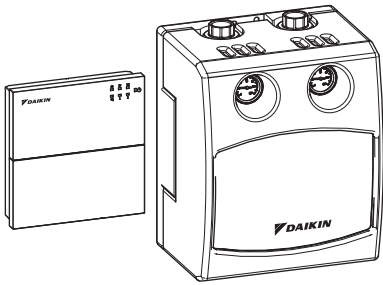
EKMIKPOAF
EKMIKPHAF



EKMIKPOAF



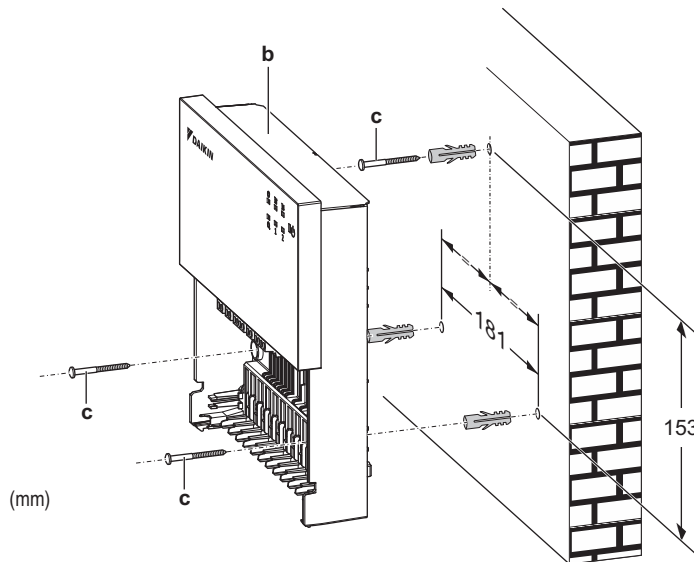
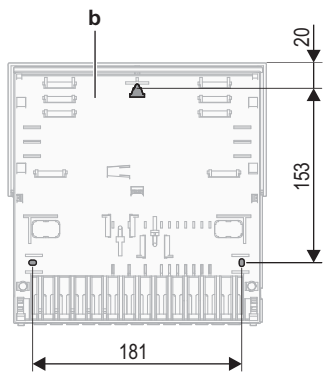
EKMIKPHAF



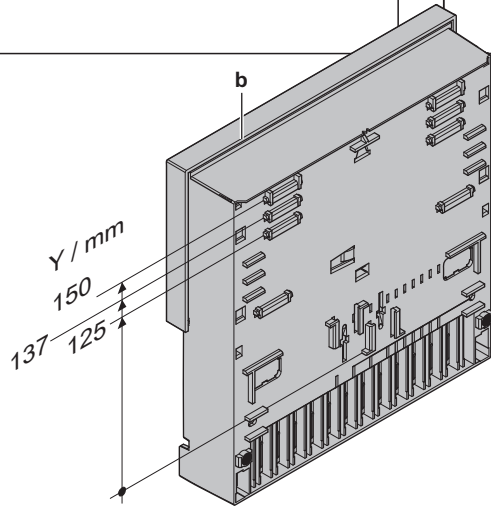
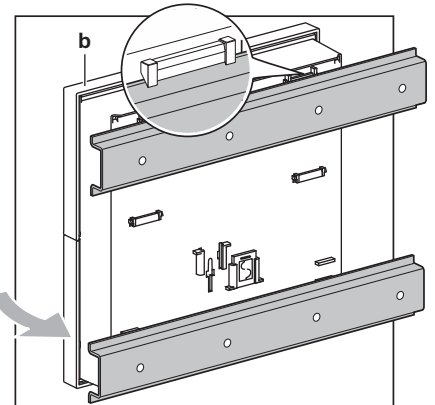
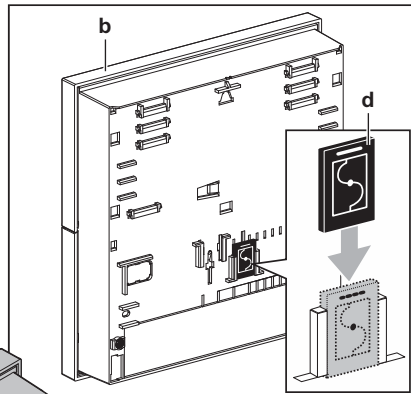
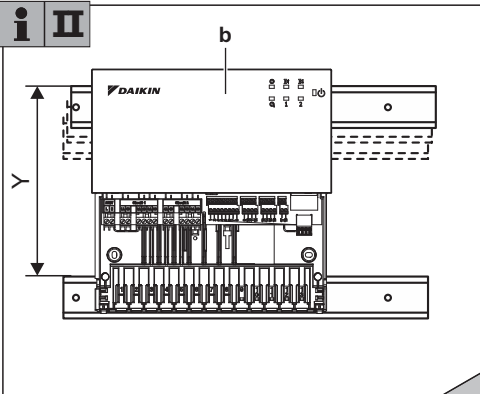
(mm)



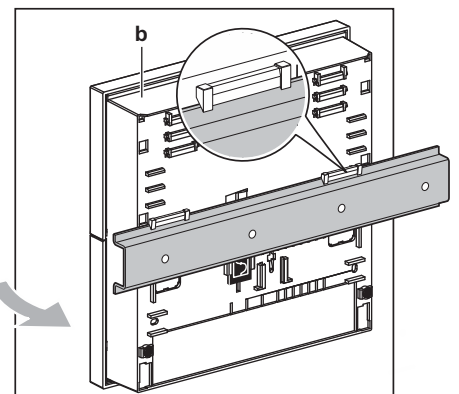
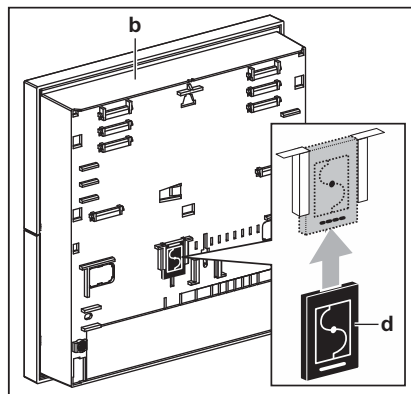
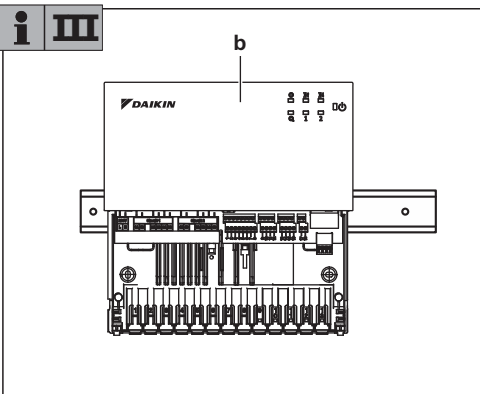
i I

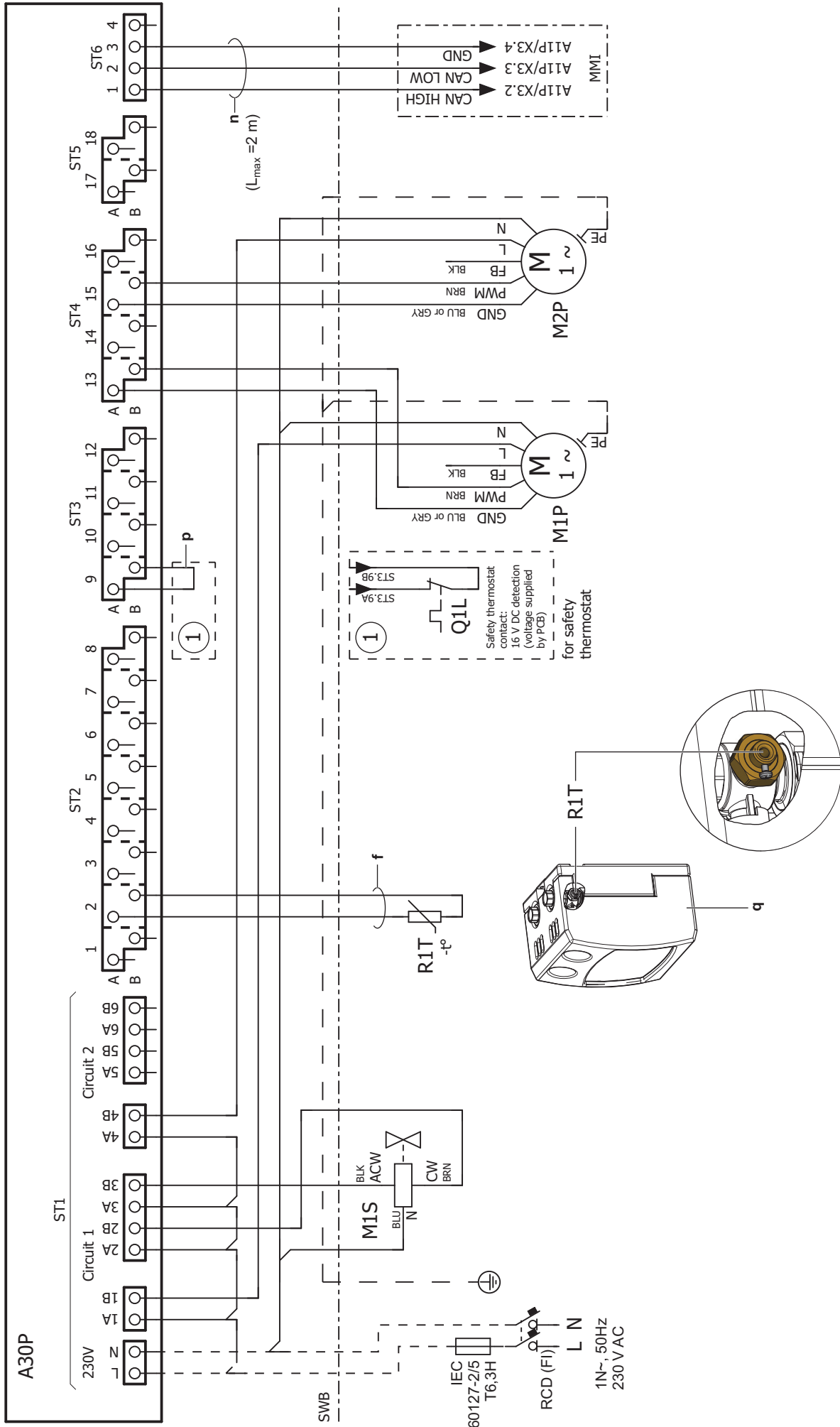


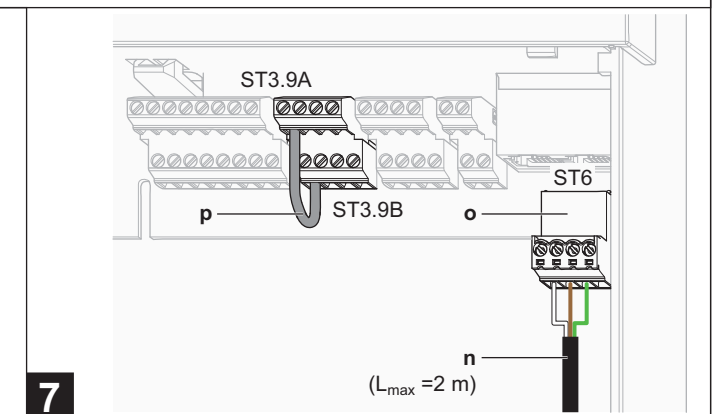
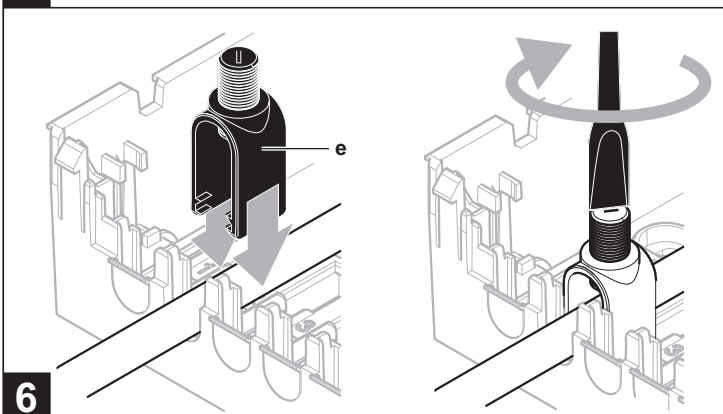
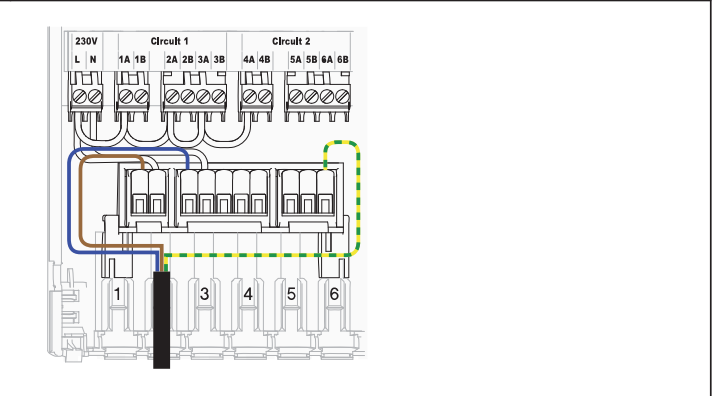
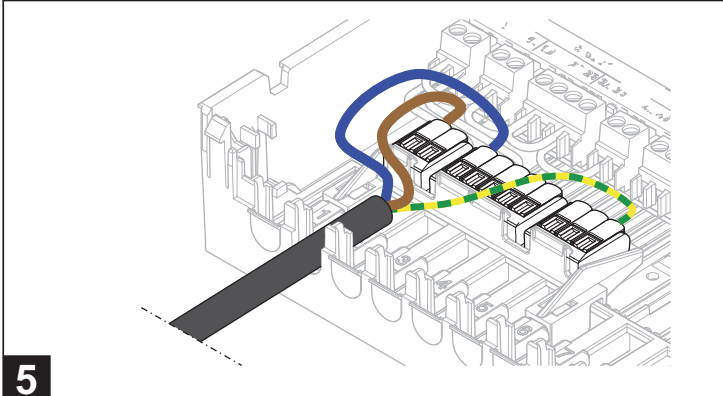
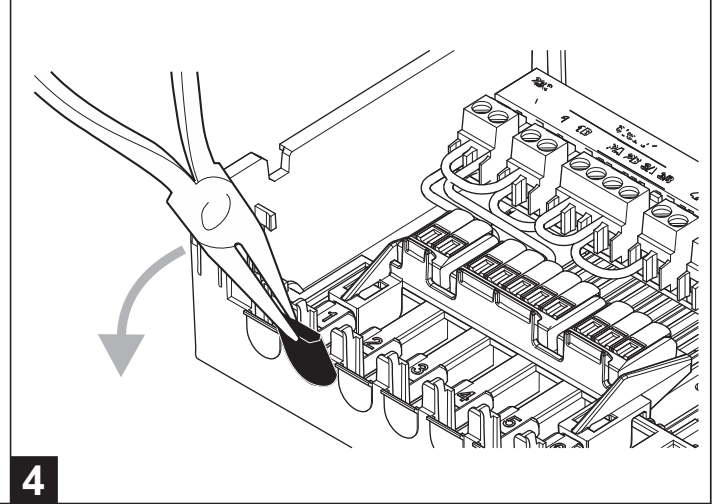
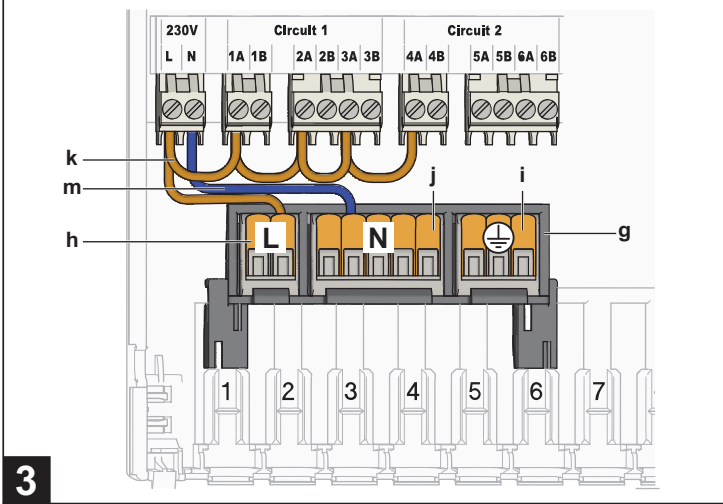
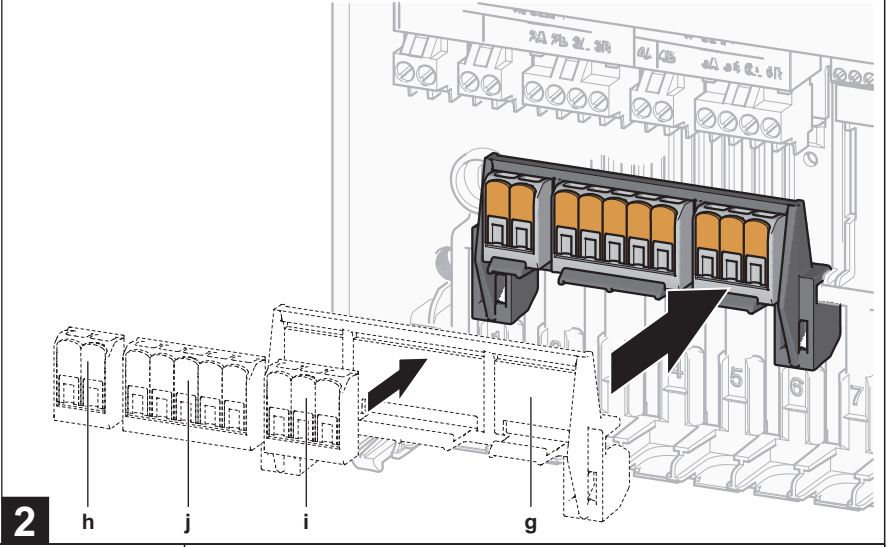
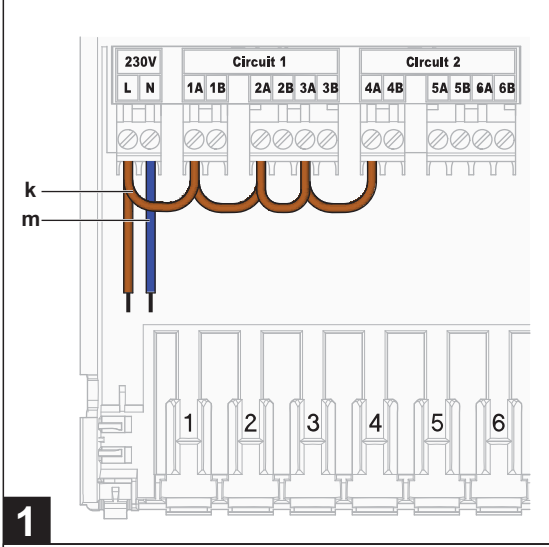
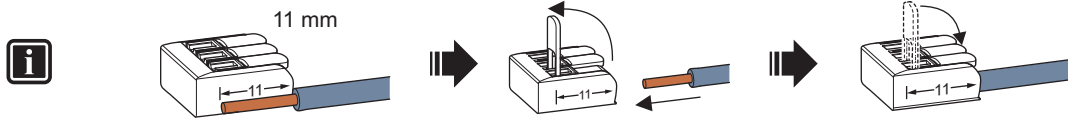
i II

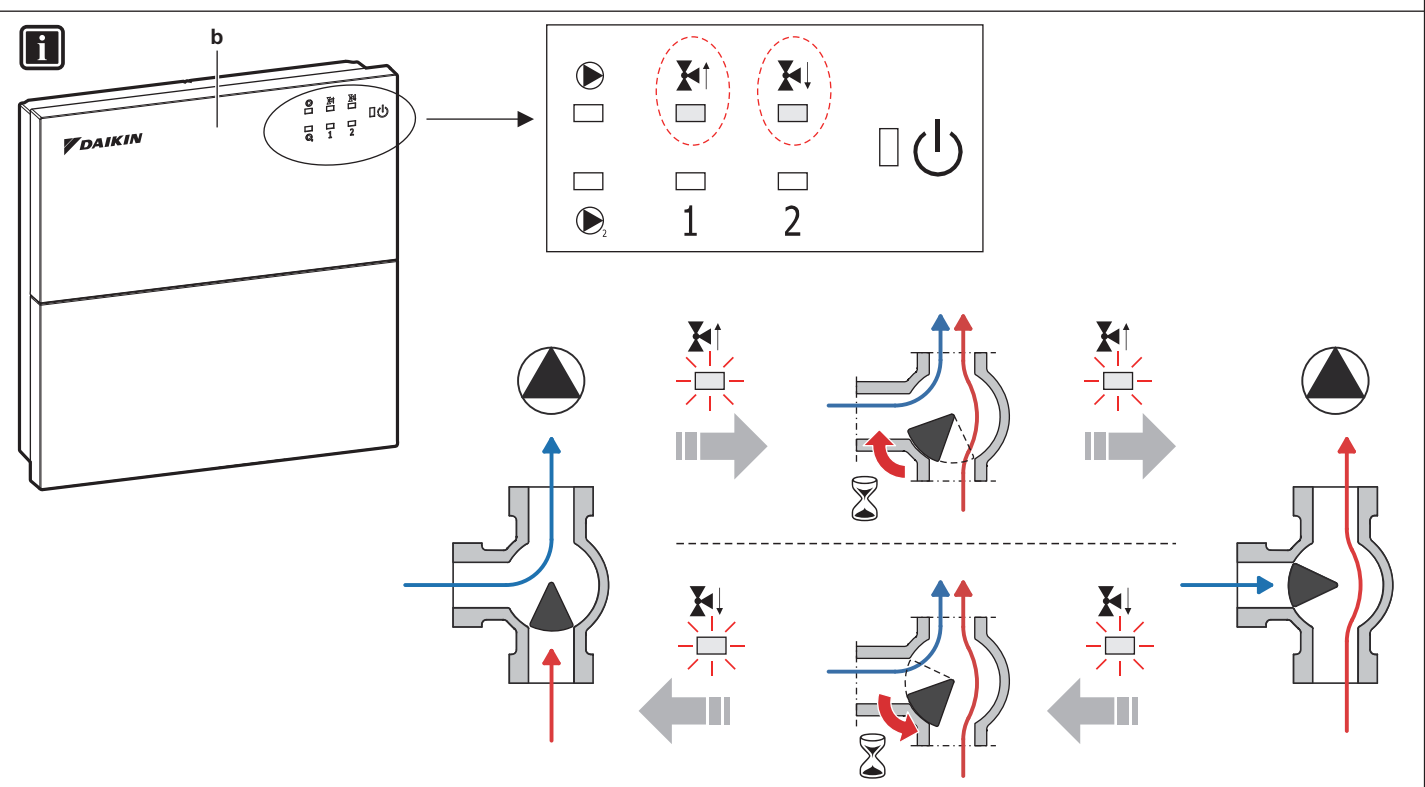
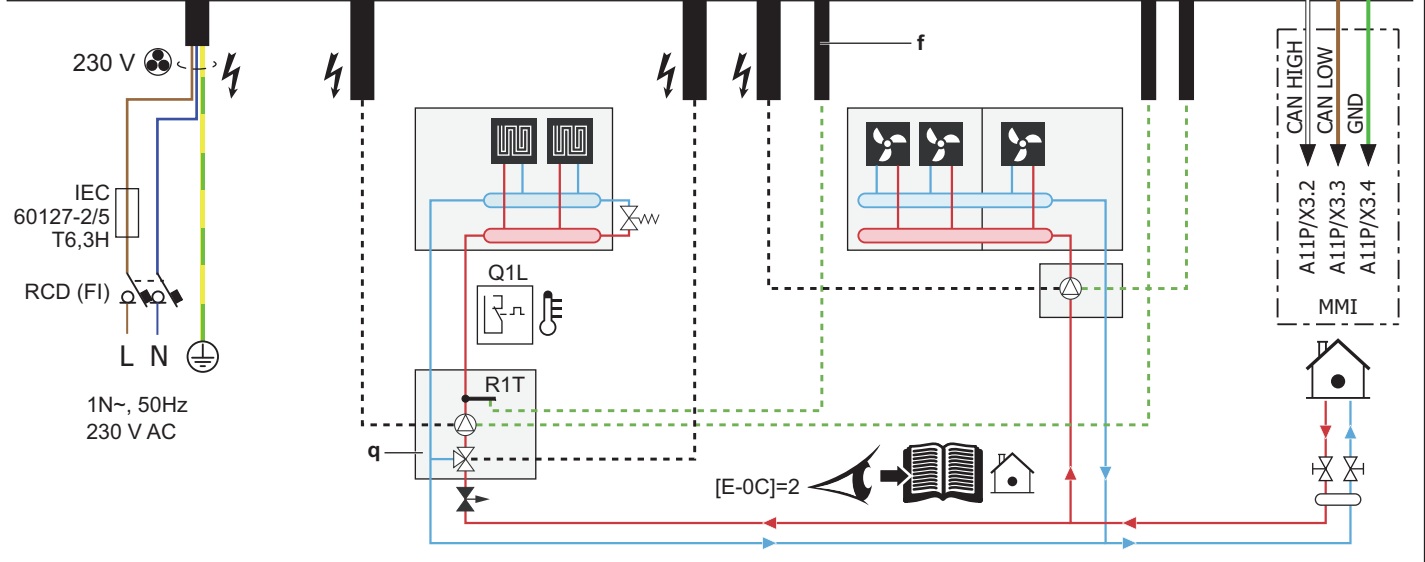
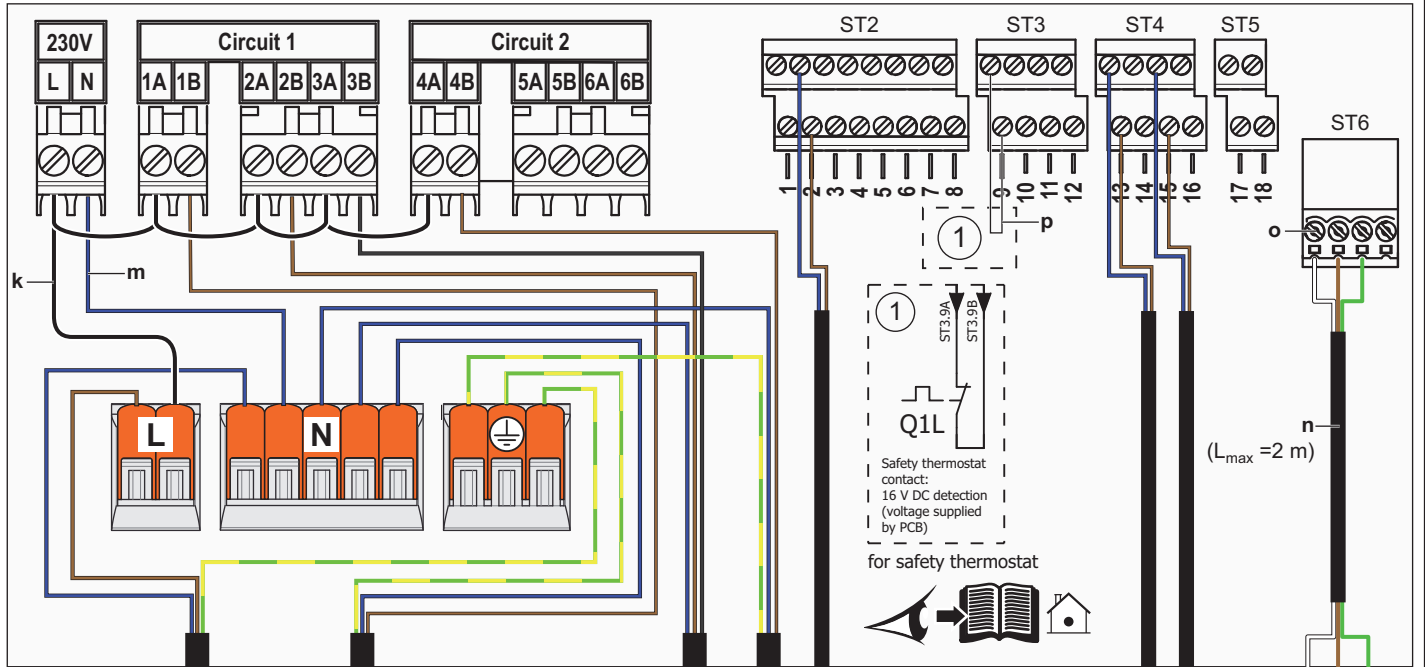


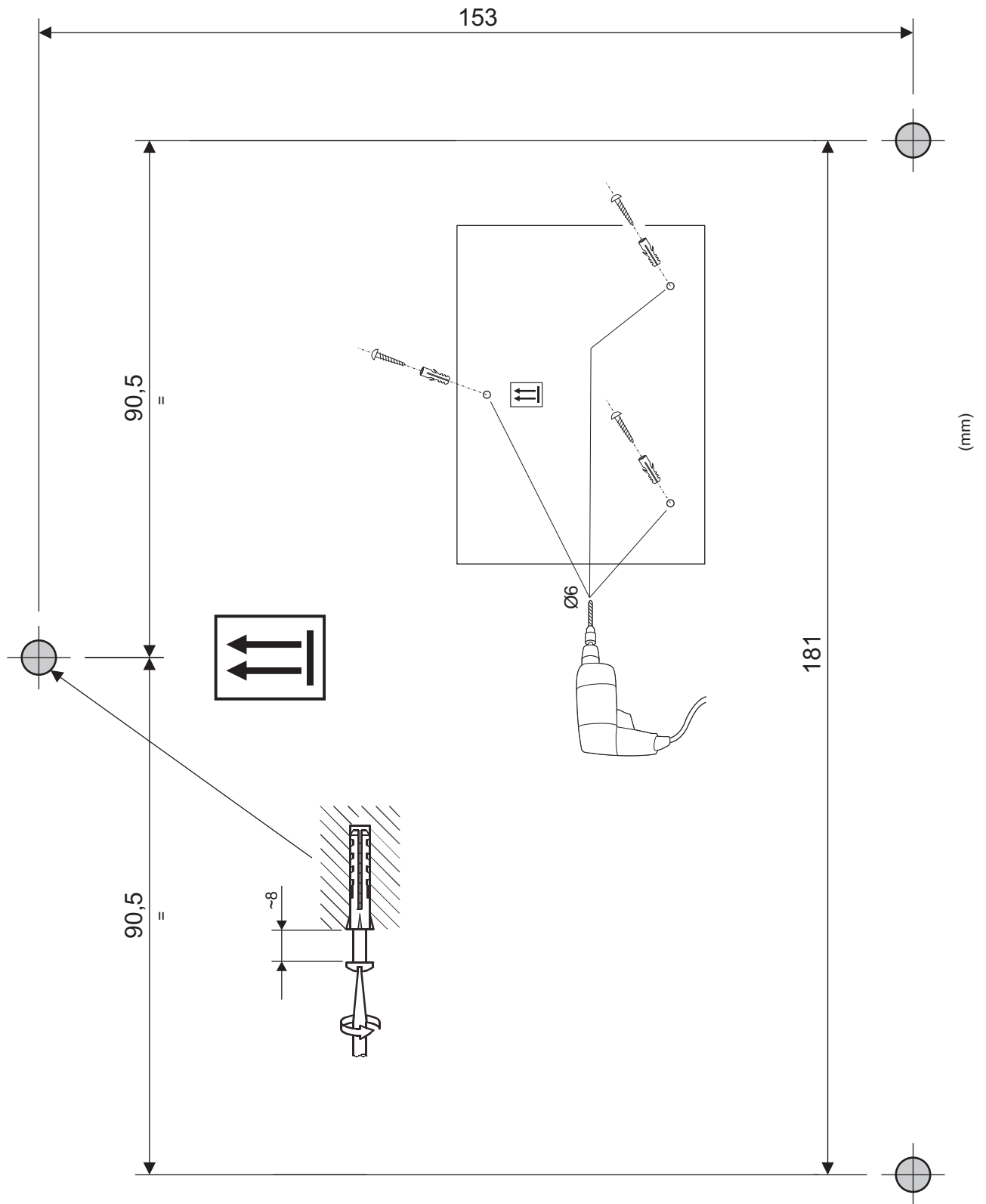
i III











(mm)

